



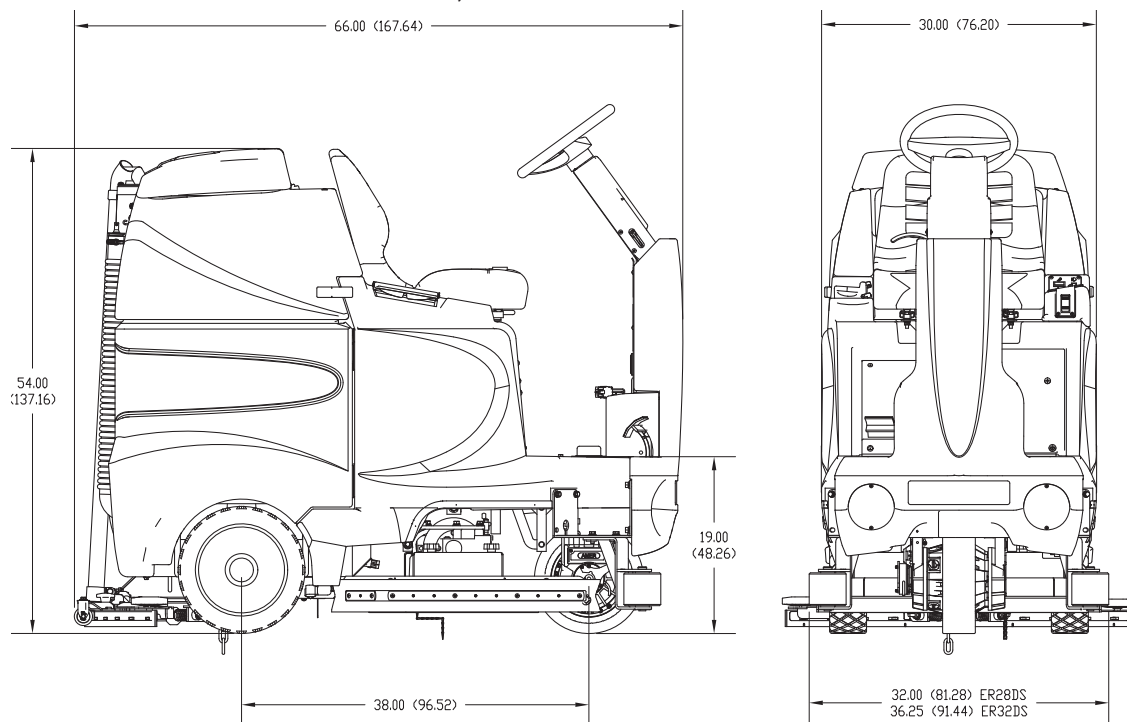
Parts Manual
E Ride 28/32 Scrubber Sport

This machine was designed to give you excellent performance and efficiency. For best results and minimal cost, please follow the general guidelines below:

- Operate the machine with reasonable care.
- Follow the manufacturers suggested maintenance instructions as provided in the user manual.
- Use original Minuteman supplied parts.

TECHNICAL SPECIFICATIONS

Model	<i>E RIDE 2832 Sport</i>
Model No.	ER28DS, ER28DSQP, ER28DSQPG, ER28DSQPT, ER28DSPLUS ER32DS, ER32DSQP, ER32DSQPG, ER32DSQPT, ER32DSPLUS
Current	60 Amps
Voltage, Batteries	36 volts, 6-6volt
Battery Capacity	275 Ah (Optional 395 Ah batteries available)
Sound Level	75 dB
Dimensions (LxWxH)	66" x 31" x 54" (167.64cm x 78.74cm x 137cm)
Gross Weight	1,243 lbs (564 kg) with batteries 847 lbs (384 kg) without batteries
Working Grade Transport	10% (7°)
Wheel to Floor Pressure	64 PSI Front, 69 PSI Rear

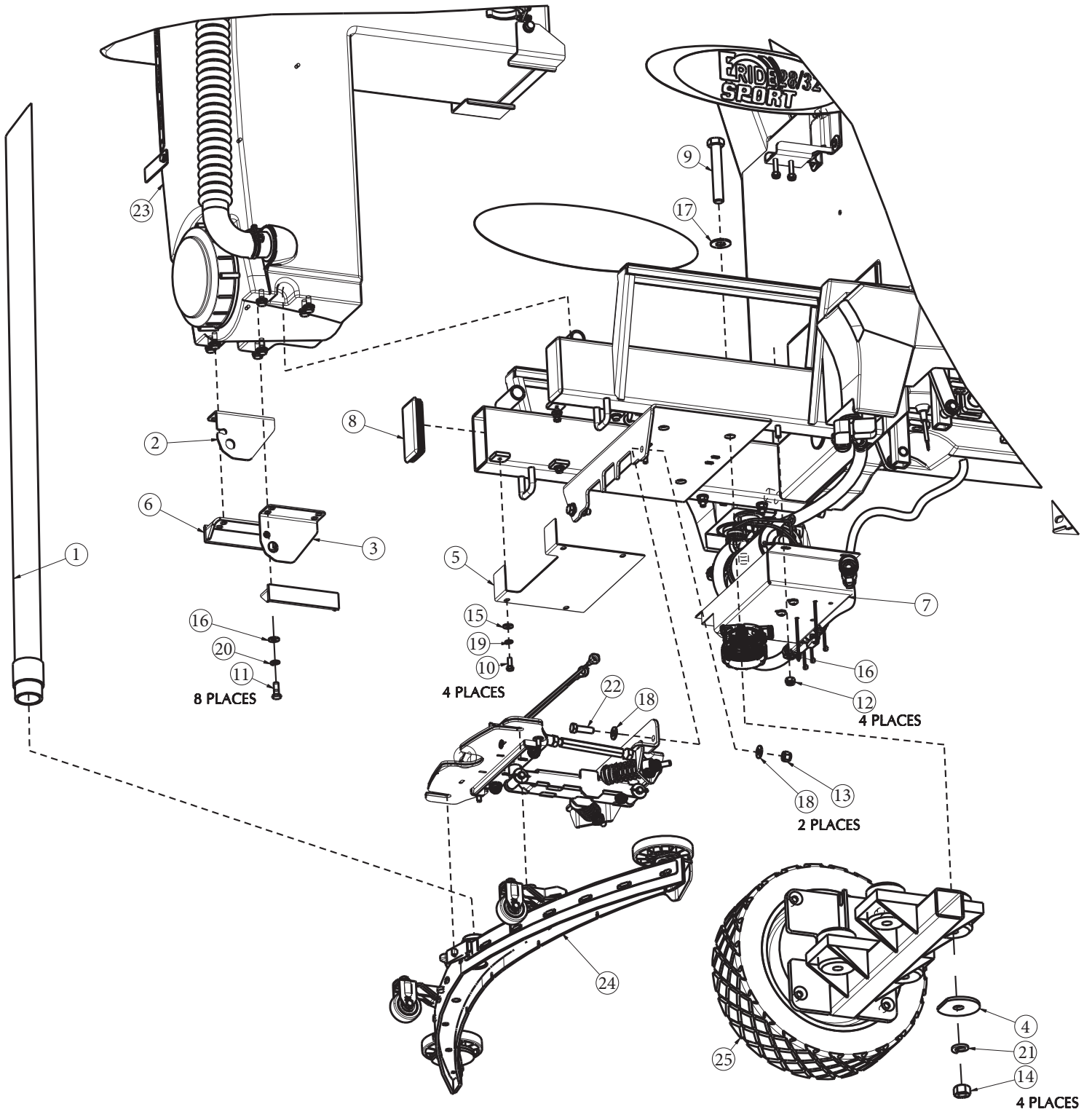


For Safety When Servicing or Maintaining Machine

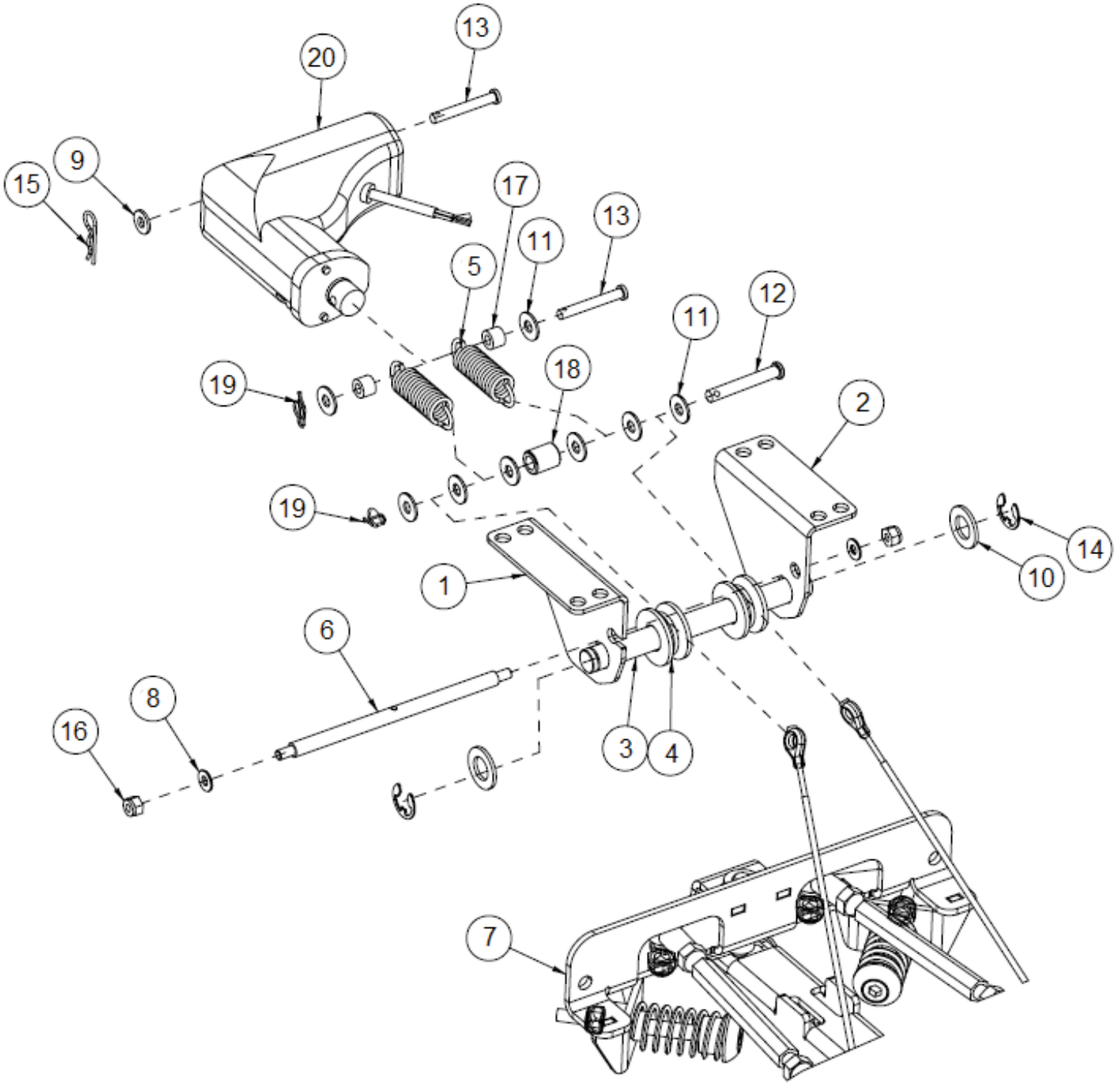
- Stop on level surface.
- Disconnect the power to the machine by pulling the red Battery Connector located under the recovery tank near the batteries.
- Avoid moving parts. Do not wear loose jackets, shirts, or sleeves when working on machine.
- Avoid contact with battery acid. Battery acid can cause burns. When working on or around batteries, wear protective clothing and safety glasses. Remove metal jewelry. Do not lay tools or metal objects on top of batteries.
- Do not clean machine with a pressure washer.
- Authorized personnel must perform repairs and maintenance. Use Minuteman supplied replacement parts.

Table of Contents

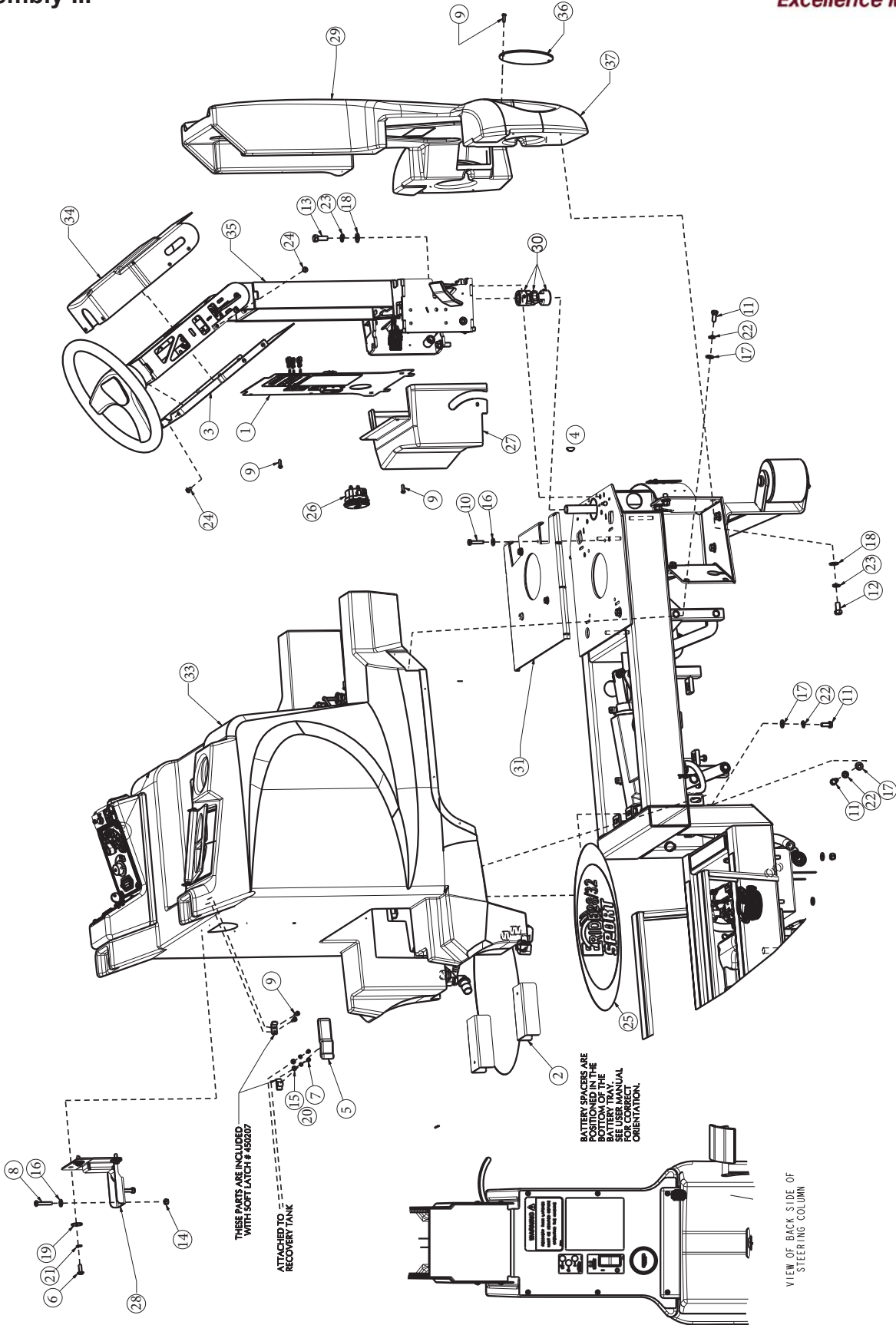
TECHNICAL SPECIFICATIONS	2
Main Assembly I	4
Main Assembly II	6
Main Assembly III	8
Main Assembly IV	10
Main Assembly V	12
Main Assembly VI - Deck Lift	14
Drive Motor Cable Assembly	16
Front Drive Assembly	17
Steering Assembly	19
Solution Tank Assembly / Seat Assembly	21
Console Assembly	22
Controls Assembly	24
Electrical Panel Assembly	25
Circuit Breaker Assembly	27
Recovery Tank Assembly I	28
Recovery Tank Assembly II	29
Fixed Lid Assembly	32
Recovery Tank Drain (Dump) Hose Assembly	33
Battery Box Assembly	34
Pump Assembly	35
Rear Axle Assembly	37
Squeegee Mechanism Assembly	38
Squeegee Mechanism Adjustment View	40
Rear Squeegee Assembly	41
28" Disc Scrub Deck Assembly	43
28" Disc Scrub Deck Base	44
32" Disc Scrub Deck Assembly	46
32" Disc Scrub Deck Base	47
Disc Scrub Deck Side Squeegee (Left Hand Side)	49
Disc Scrub Deck Side Squeegee (Right Hand Side)	50
Disc Scrub Deck and Roller Bumper Mounting	51
Plumbing Diagram	53
Wiring Diagrams	54



BILL OF MATERIALS - SC2832MS			
ITEM	PART NO.	QTY	DESCRIPTION
1	241356	1	HOSE-VAC 1.5" ID X 48"
2	281193	1	BRACKET - SQUEEGEE LIFT, LH
3	281194	1	BRACKET - SQUEEGEE LIFT, RH
4	281211	4	WSR-SNUBBING
5	281228	1	REAR COVER
6	281360	2	WELD-SLIDER FIXED
7	281395	1	ASSY, PUMP-SOLUTION,w/EASY ACCESS FILTER
8	281446	2	END CAP-TUBING 2" X 4"
9	711173	4	SCR-HH 5/8-11 X 4 ZP GR 5
10	711203	10	SCR-HH 1/4-20 X .62 ZP TAP
11	711229	8	SCR-HH 5/16-18 X .87 ZP GR 5
12	711374	4	NUT-NYLOC 5/16-18 ZP
13	711380	7	NUT-NYLOC 3/8-16 ZP
14	711445	4	NUT-HEX 5/8 X 11 ZP
15	711505	17	WASHER-FLAT 1/4 ZP
16	711506	20	WASHER-FLAT 5/16 X .688 ZP
17	711511	4	WASHER-FLAT 5/8 X 1.31 X .09 SS
18	711515	31	WASHER-FLAT 3/8 X .812 X .0625 ZP
19	711544	14	WASHER-LOCK 1/4 SPLIT ZP
20	711545	20	WASHER-LOCK 5/16 SPLIT ZP
21	712315	4	WASHER-LOCK 5/8 SPLIT ZP
22	713043	2	SCR-HH 3/8-16 X 1.25 ZP GR 5
23	281010M	1	RECOVERY TANK ASY.-E RIDE 2832(W/ LIDS)
24	281338	1	REAR SQUEEGEE ASM - ERIDE 2832
25	281201E	1	REAR AXLE ASSY

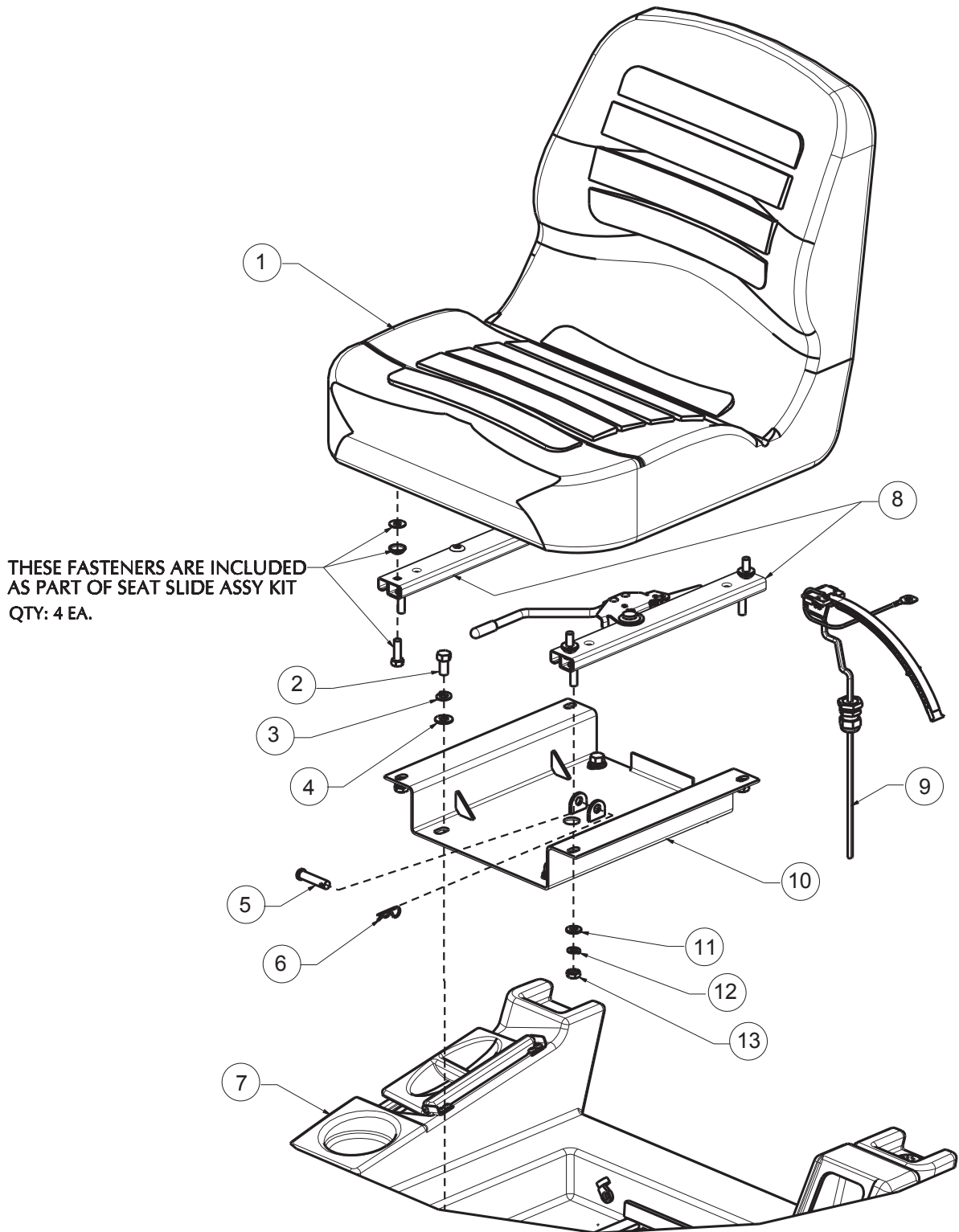


BILL OF MATERIALS - SC2832MS			
ITEM	PART NO.	QTY	DESCRIPTION
1	281193	1	BRACKET - SQUEEGEE LIFT, LH
2	281194	1	BRACKET - SQUEEGEE LIFT, RH
3	281195	1	SHAFT - PULLEY
4	281196	2	PULLEY - PLASTIC
5	281225	2	SPRING - EXTENSION, 3"
6	711749	2	RET RING-E TYPE .625
7	281300	1	MAIN FRAME - E RIDE 2832
8	711504	2	WASHER-FLAT 1/4 SS
9	711505	17	WASHER-FLAT 1/4 ZP
10	711527	2	WASHER-FLAT .63 X 1.12 X .09
11	711575	15	WASHER-FLAT 1/4 X .75 X .06 ZP
12	711671	1	PIN-CLEVIS .31 X 2.13
13	711675	2	PIN-CLEVIS 1/4 X 1 7/8 ZINC
14	711749	2	RET RING-E TYPE .625
15	711808	3	PIN-HAIRPIN COTTER #13
16	712667	3	NUT-NYLOC 1/4-20 SS
17	762371	2	BUSHING-.260 X .50 X .37 ALM
18	840118	1	BUSHING-.375 X .625 X .750 ZINC
19	3400125	2	RING-RUE 3/8
20	748009-1	1	ACTUATOR, W/WEATHER PACK SCV SQUEEGE



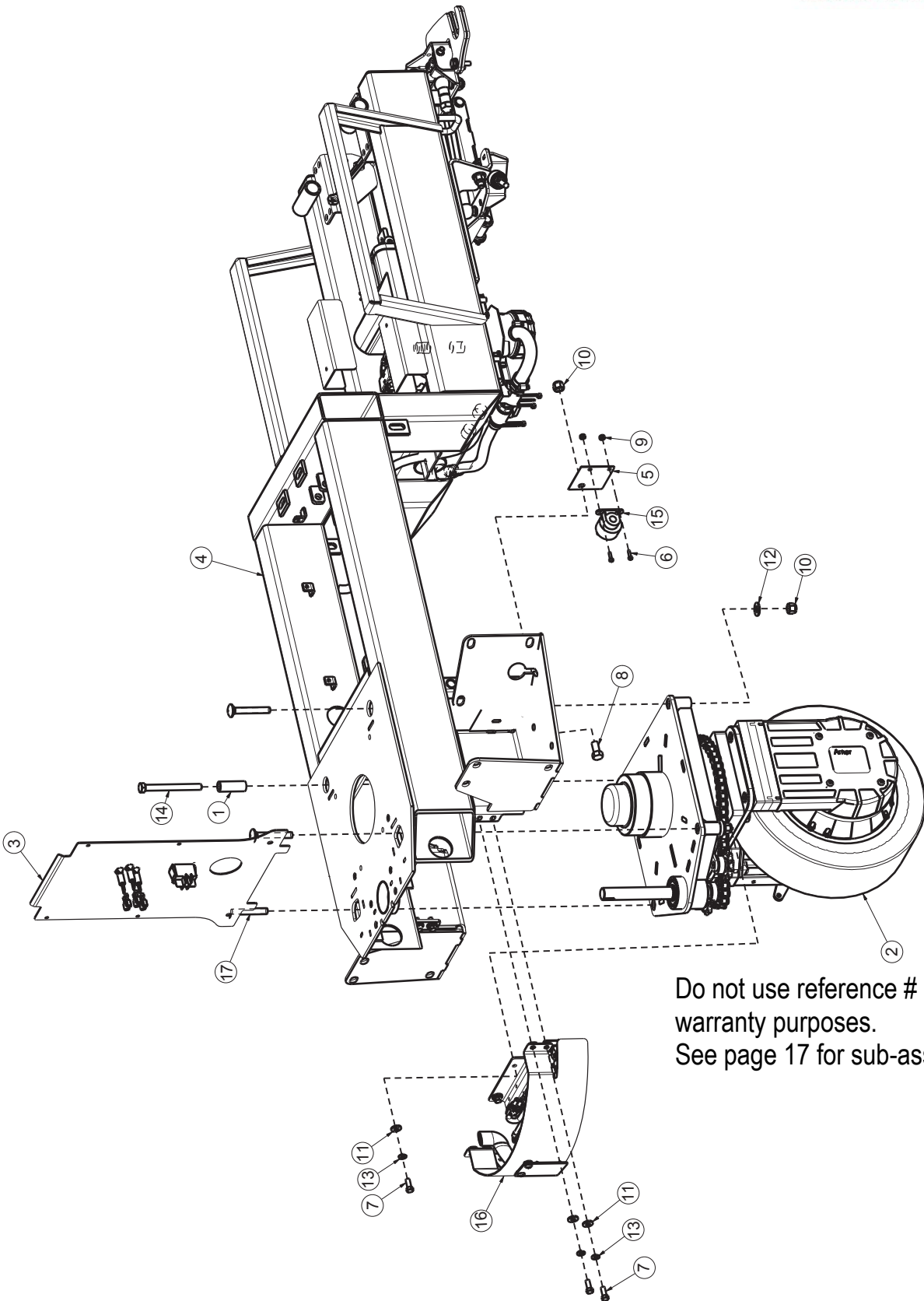
BILL OF MATERIAL - SC2832MS

ITEM	PART NO.	QTY	DESCRIPTION
1	281246	1	ASSY, REAR COVER, STEERING COLUMN, SPORT
2	281671	2	BRACKET, U CHANNEL- BATTERY SPACER
3	281992	1	STEERING COVER, BOTTOM, SCV2832
4	383277	2	KEY-WOODRUFF 3/16 X .750
5	450207	2	LATCH-SOFT
6	710180	4	SCR-THMS 1/4-20 X .75 ZP
7	710328	4	SCR-RHMS 8-32 X .37 ZP
8	710385	2	SCR-RHMS 1/4-20 X 1.50 NICKEL
9	711161	10	SCR-HI/LO 10 X .75 BLACK ZINC PAN HD
10	711210	4	SCR-HH 1/4-20 X 1.25 ZP GR 5 FULL THRD
11	711228	12	SCR-HH 5/16-18 X .75 ZP GR 5
12	711241	11	SCR-HH 3/8-16 X .75 ZP GR 5
13	711242	6	SCR-HH 3/8-16 X 1.00 ZP TAP
14	711373	2	NUT-NYLOC 1/4-20 ZP
15	711502	4	WASHER-FLAT #8 ZP
16	711505	17	WASHER-FLAT 1/4 ZP
17	711506	20	WASHER-FLAT 5/16 X .688 ZP
18	711515	31	WASHER-FLAT 3/8 X .812 X .0625 ZP
19	711519	4	WASHER-FLAT 1/4 X 1.00 X .06 ZP
20	711542	4	WASHER-LOCK #8 SPLIT ZP
21	711544	14	WASHER-LOCK 1/4 SPLIT ZP
22	711545	20	WASHER-LOCK 5/16 SPLIT ZP
23	711546	20	WASHER-LOCK 3/8 SPLIT ZP
24	712816	6	SCR-THMS 10-24 X .37 ZP
25	715960	2	DECAL, E-RIDE 28/32 SPORT
26	740539	1	METER-HOUR 10-80 VDC
27	281024E	1	STEERING COLUMN COVER, BOTTOM, SCV2832
28	281395	1	ASSY, PUMP-SOLUTION,w/EASY ACCESS FILTER
29	281428	1	EQUALIZING TUBE, SOL. TNK
30	281446	2	END CAP-TUBING 2" X 4"
31	281458	2	LINK ATTACHMENT SHAFT
32	281459	1	CRANK PIVOT SHAFT
33	281012MS	1	ASSY, SOLUTION TANK, ERIDE 2832 SPORT
34	281991	1	STEERING COVER, TOP, SCV2832
35	282301E	1	STEERING COLUMN ASSY, SCV2832
36	281139	2	COVER, HEADLIGHT BLANK 5", SCV2832
37	281001HG	1	FRONT BUMPER - E RIDE 2832



BILL OF MATERIAL - SC2832MS

ITEM	PART NO.	QTY	DESCRIPTION
1	281085	1	ASS'Y SEAT, SUPER SUBURBAN
2	711241	11	SCR-HH 3/8-16 X .75 ZP GR 5
3	711546	8	WASHER-LOCK 3/8 SPLIT ZP
4	711515	4	WASHER-FLAT 3/8 X .812 X .0625 ZP
5	831965	1	PIN-CLEVIS 3/8 X 1.63
6	711808	2	PIN-HAIRPIN COTTER #13
7	281012MS	1	ASSY, SOLUTION TANK, ERIDE 2832 SPORT
8	281086	1	SLIDE ASS'Y KIT
9	281087-1	1	SEAT SWITCH ASSY, SCV2832
10	281376	1	28 SEAT BRACKET WMT
11	711506	20	WASHER-FLAT 5/16 X .688 ZP
12	711545	20	WASHER-LOCK 5/16 SPLIT ZP
13	711319	4	NUT-HEX 5/16-18 ZP

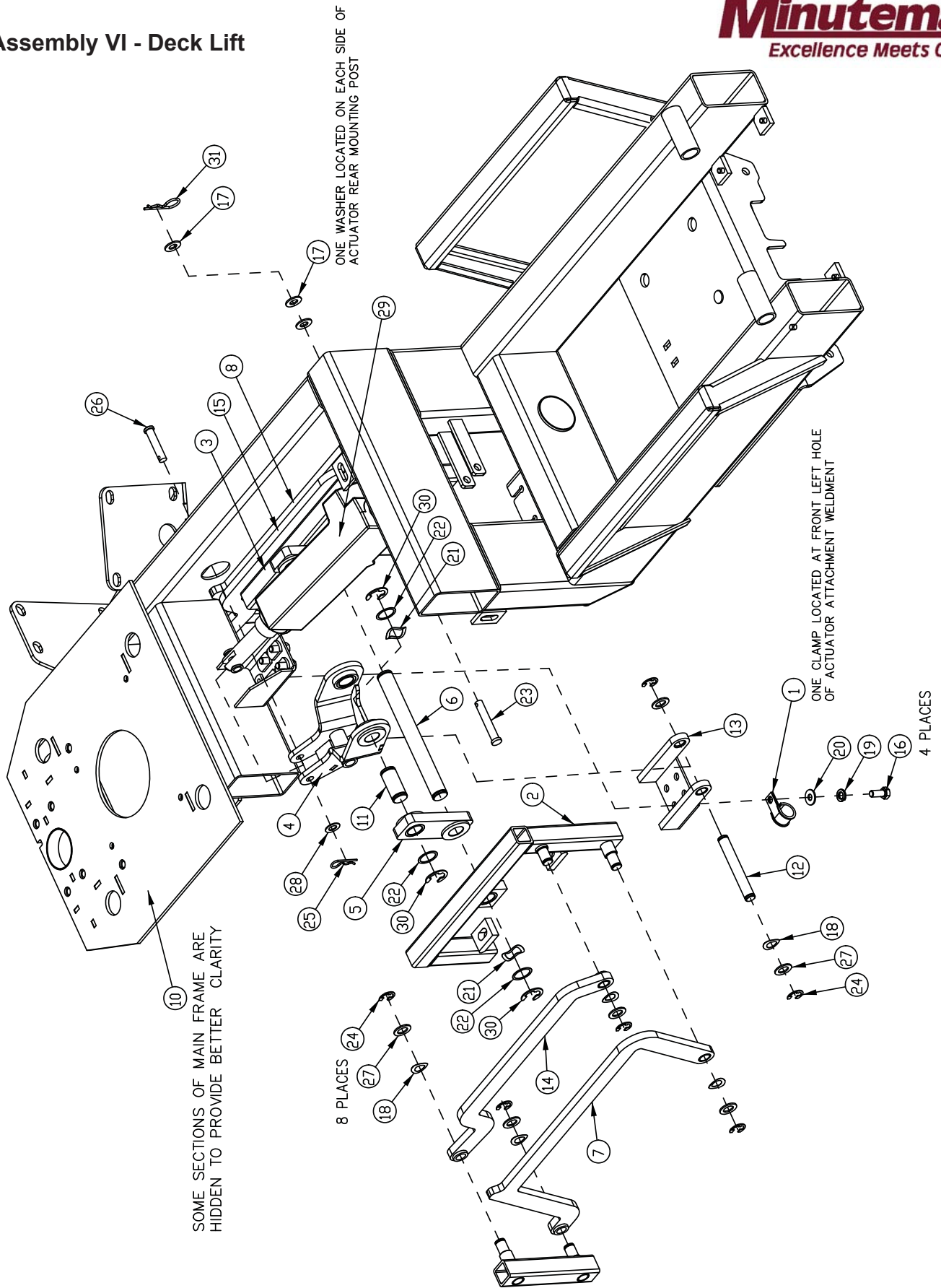


Do not use reference # 2 for warranty purposes.
See page 17 for sub-assemblies.

BILL OF MATERIAL - SC2832MS

ITEM	PART NO.	QTY	DESCRIPTION
1	260125	1	BUSHING-YOKE .407 X 1.687 STL ZINC
2	281189	1	FRONT DRIVE ASSY - E RIDE 2832 - SEE PAGE 17
3	281246	1	ASSY, REAR COVER, STEERING COLUMN, SPORT
4	281300	1	MAIN FRAME - E RIDE 2832
5	281996	1	BKT, MOUNT FOR HORN, SCV2832
6	710204	2	SCR-PHMS 6-32 X .50 ZP
7	711203	6	SCR-HH 1/4-20 X .62 ZP TAP
8	711241	1	SCR-HH 3/8-16 X .75 ZP GR 5
9	711371	2	NUT-NYLOC 6-32 ZP
10	711380	7	NUT-NYLOC 3/8-16 ZP
11	711505	7	WASHER-FLAT 1/4 ZP
12	711515	8	WASHER-FLAT 3/8 X .812 X .0625 ZP
13	711544	6	WASHER-LOCK 1/4 SPLIT ZP
14	713051	1	SCR-HH 3/8-16 X 3.75 ZP GR 5
15	748200	1	HORN / BACK UP ALARM, 9-48VDC
16	748360	1	FRONT MOTOR CABLE ASSY- ER2832
17	711254-1	3	BLT-CARR 3/8-16 X 2.50 ZP GR 5

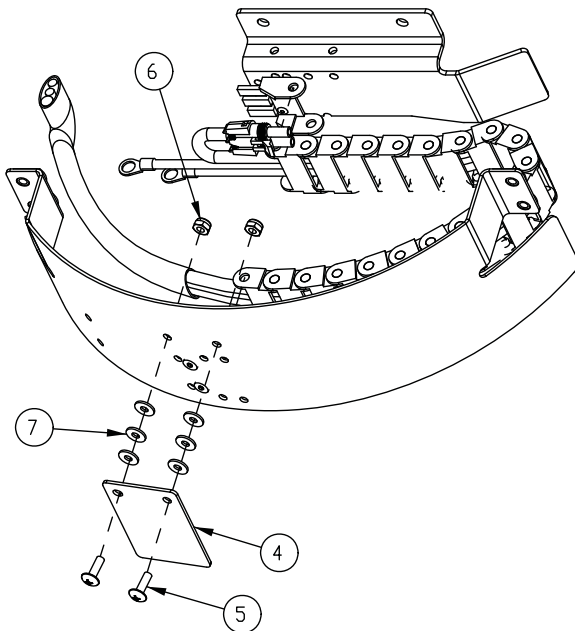
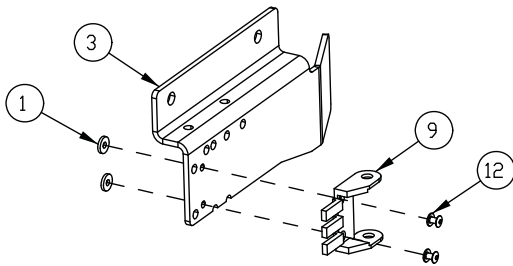
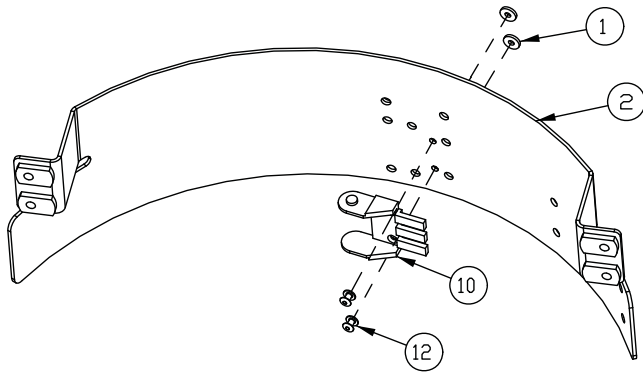
Main Assembly VI - Deck Lift



BILL OF MATERIAL - SC2832MS

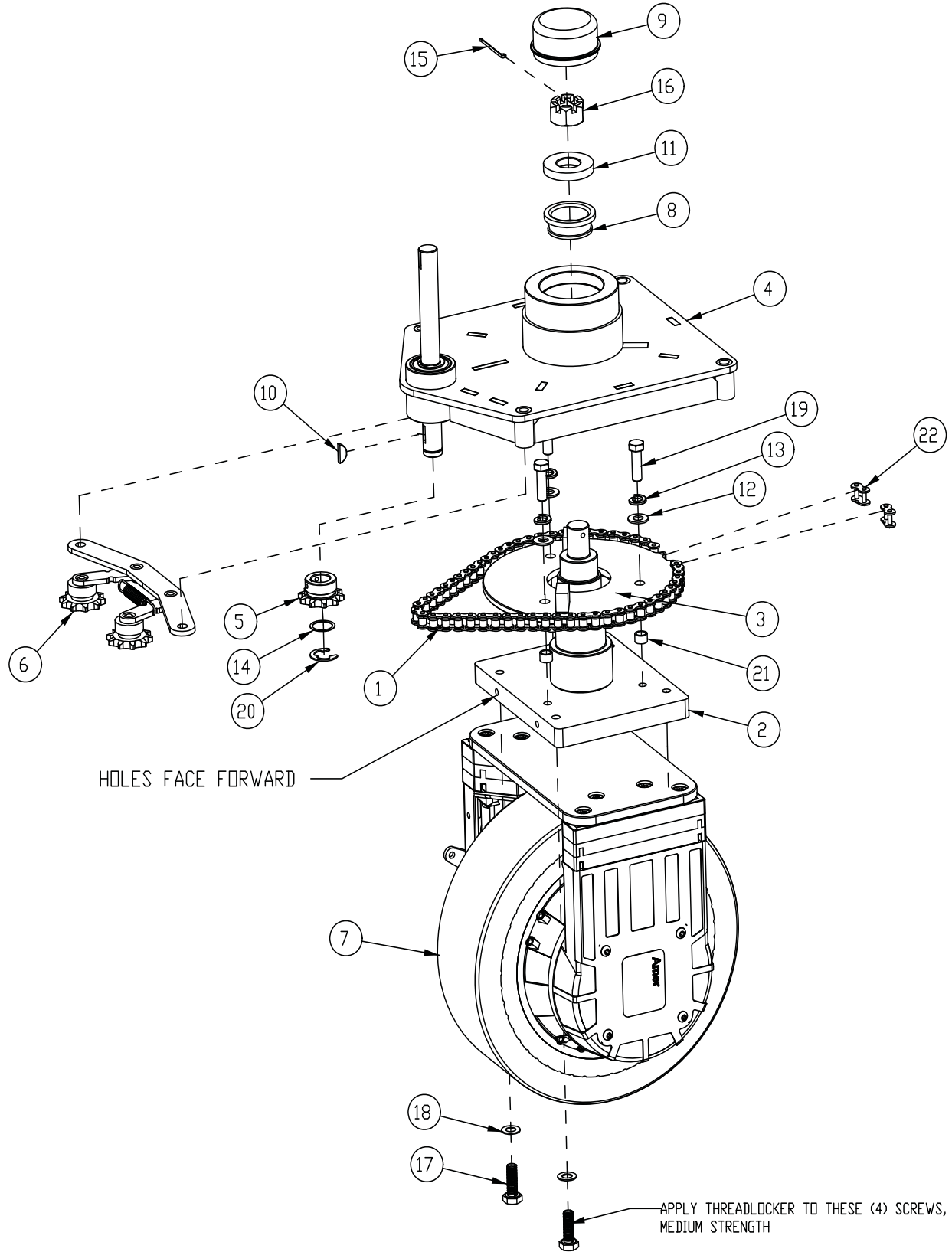
ITEM	PART NO.	QTY	DESCRIPTION
1	82-54-A	1	CLAMP, MS21333-114
2	241468	1	LEFT LIFT WELDMENT W/BUSHING
3	241470	1	RIGHT LIFT WELDMENT W/BUSHING
4	281161	1	ACTUATOR CRANK ASSEMBLY
5	281171	2	ACTUATOR LIFT LINK ASSEMBLY
6	281174	1	LINK AT TACHMENT SHAFT
7	281175	1	LOWER LINK ASSY, LEFT
8	281176	1	LOWER LINK ASSY, RIGHT
9	281211	2	SNUBBING WSR (NOT SHOWN)
10	281300	1	MAIN FRAME
11	281458	2	LINK AT TACHMENT SHAFT
12	281459	1	CRANK PIVOT SHAFT
13	281471	1	ACTUATOR ATM'T WMT W/ BUSHING ASSY
14	281477	1	UPPER LINK ASSY, LEFT
15	281478	1	UPPER LINK ASSY, RIGHT
16	711228	4	BLT-HH 5/16-18 X .75 ST PL
17	711515	3	WSR-FLAT .406 X .812 X .0625
18	711524	9	WSR-WAVE .52 X .87 X .01
19	711545	4	WSR-HELICAL 5/16
20	711575	4	WSR-FLT .31x.75x.06ST
21	711583	4	WSR-WAVE .78 X 1.00 X .02
22	711588	7	WASHER - FLAT, .76 ID X 1.00 OD X .020
23	711678	1	CLEVIS PIN 3/8 X 2-1/4
24	711713	10	RETAINING RING - "E" TYPE EXT .500
25	711808	1	COTTER PIN-HAIR #13
26	712124	1	CLEVIS PIN, 3/8 X 1-3/4
27	712310	10	WSR- FLAT .52 X .87 X .06 PL
28	712767	1	FLAT WASHER .406 ID X .75 OD X .
29	740819-2	1	ACTUATOR ASSY, 50mm 4000N 24/36VDC
30	809148	6	RETAINING RING - "E" TYPE EXT .75
31	833374	1	PIN, HAIRPIN COTTER 3/8

Drive Motor Cable Assembly



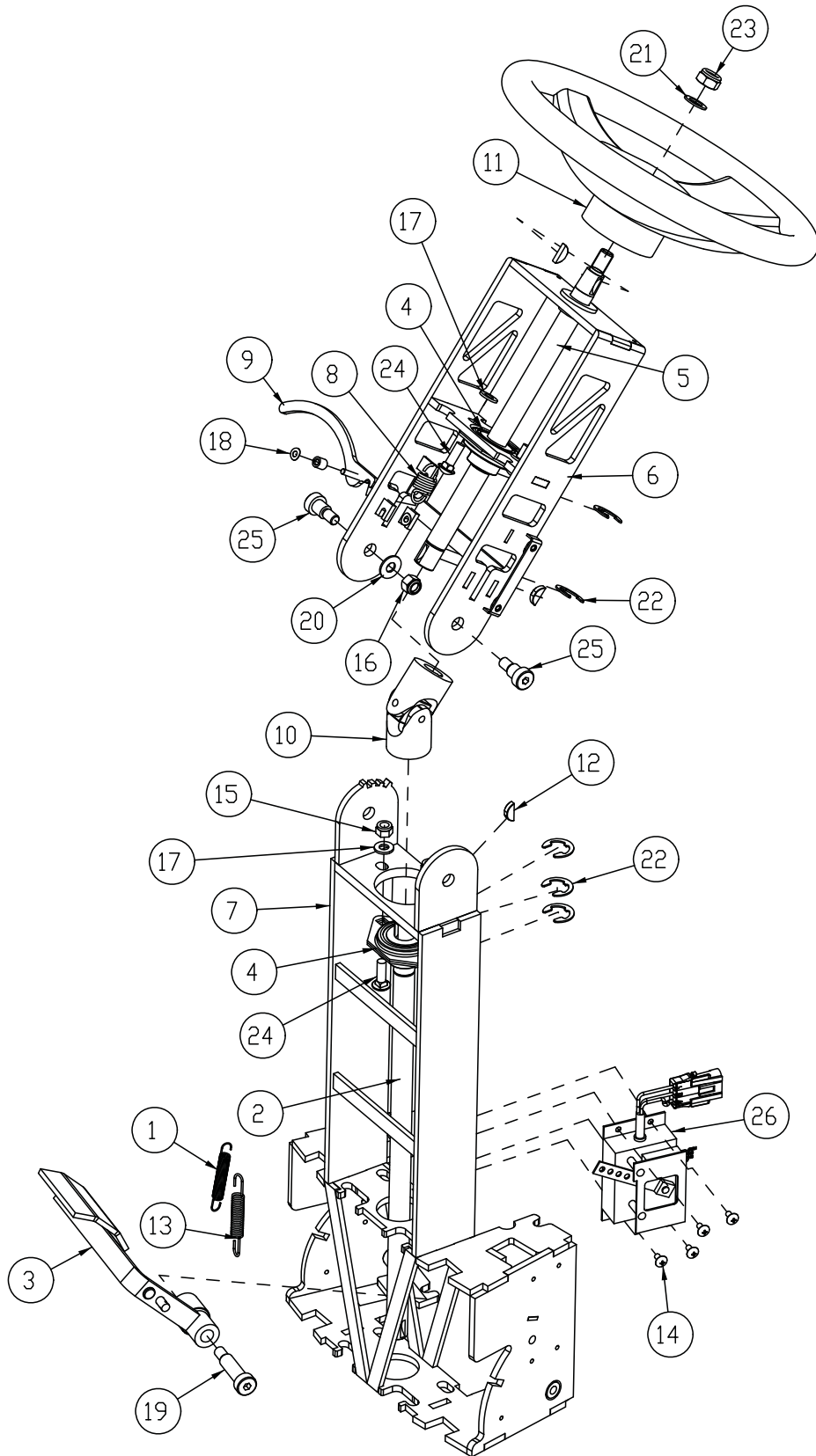
BILL OF MATERIAL - 748360

ITEM	PART NO.	QTY	DESCRIPTION
1	950-4-S	4	BACKUP PLAT E - RIVET
2	281188	1	FRONT BRACKET - CABLE GUIDE
3	281192	1	BRACKET - DRIVE MOTOR
4	281237	1	COVER PLATE
5	710154	2	SCR-MC TR HD 10-32 X .625 SS
6	711350	2	NUT-NYLOC 10-32
7	712764	6	WSR #10 SS
8	748020	1	CNCTR, PACKARD 2 COND MALE
9	748219-2	1	CABLE GDE, MNT BRKT- BORE
10	748219-3	1	CABLE GUIDE, MOUNT BRACKET- PIN
11	748344	1	WIRE ASSY, DRIVE MOTOR
12	827666	4	RIVET-POP



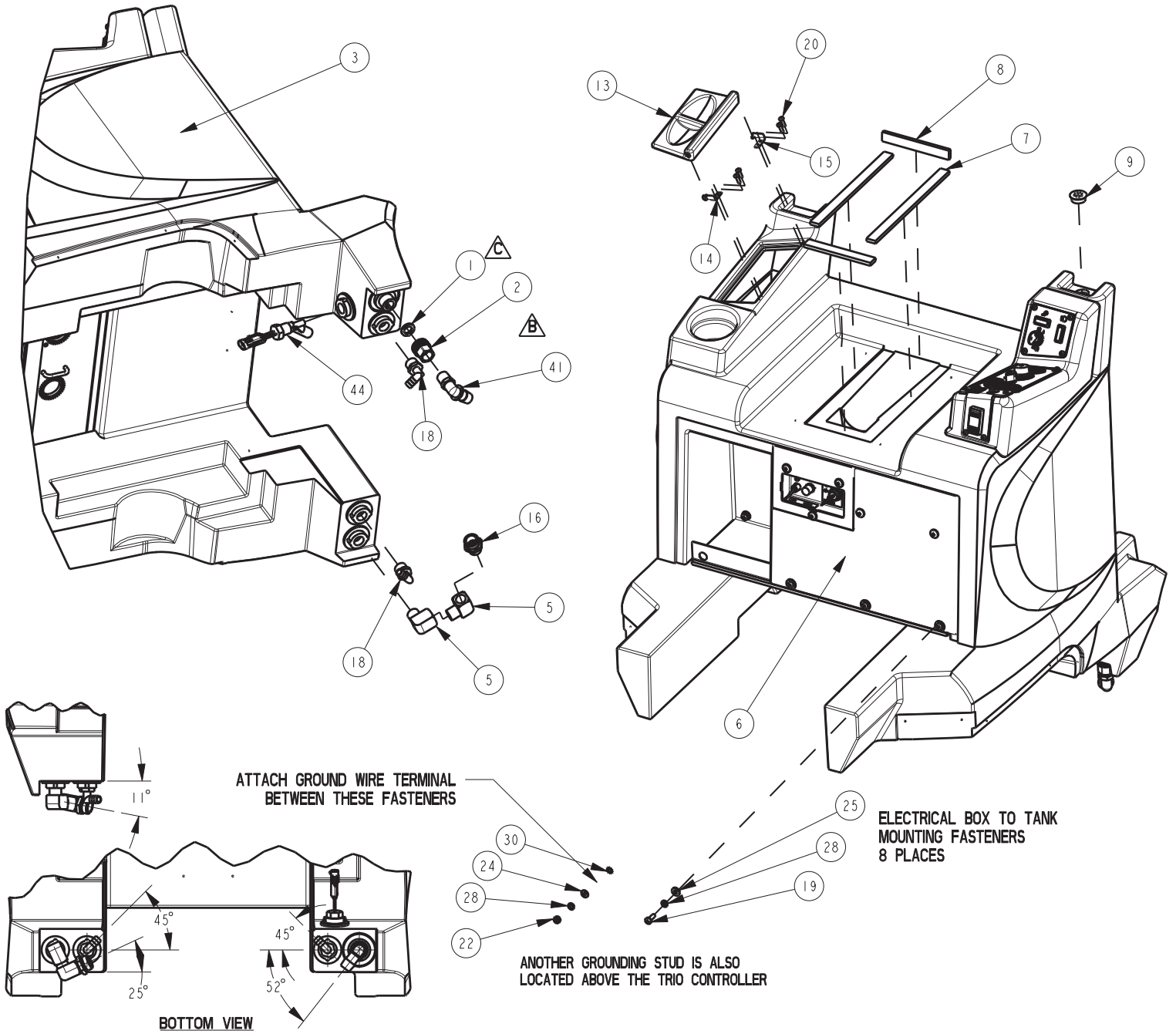
BILL OF MATERIAL - 281189

ITEM	PART NO.	QTY	DESCRIPTION
1	281054	1	CHAIN, STEERING No. 40, 27.5"
2	281190	1	SPINDLE WELDMENT
3	281254	1	STEERING DISC WMT
4	281257	1	FRONT DRIVE W/ BEARING ASSY
5	281268	1	SPROCKET-RC #40, 10 TEETH, 3/4" BORE
6	281285	1	IDLER ASSY, FRONT DRIVE
7	281400	1	DRIVE MOTOR - AMER
8	383077	1	BEARING CONE (LM104949)
9	383250	1	GREASE CAP
10	383277	1	KEYWOODRUFF 3/16 X 3/4
11	383364	1	THRUST WASHER
12	711515	3	WSR-FLAT .406 X .812 X .0625
13	711546	3	WSR-HELICAL 3/8
14	711588	1	WASHER - FLAT , .76 ID X 1.00 OD X .020
15	711807	1	COTTER PIN .12 X 1.75
16	712113	1	CASTLE NUT
17	712330	4	METRIC HEX CAP SCREW M10x1.5x30
18	712767	4	FLAT WASHER .406 ID X .75 OD X .
19	713043	3	BLT-HH 3/8-16 X 1 1/4 #5
20	809148	1	RETAINING RING - "E" TYPE EXT .75
21	809247	3	STEERING PLATE SPACER
22	833629	2	MASTER LINK ASSY

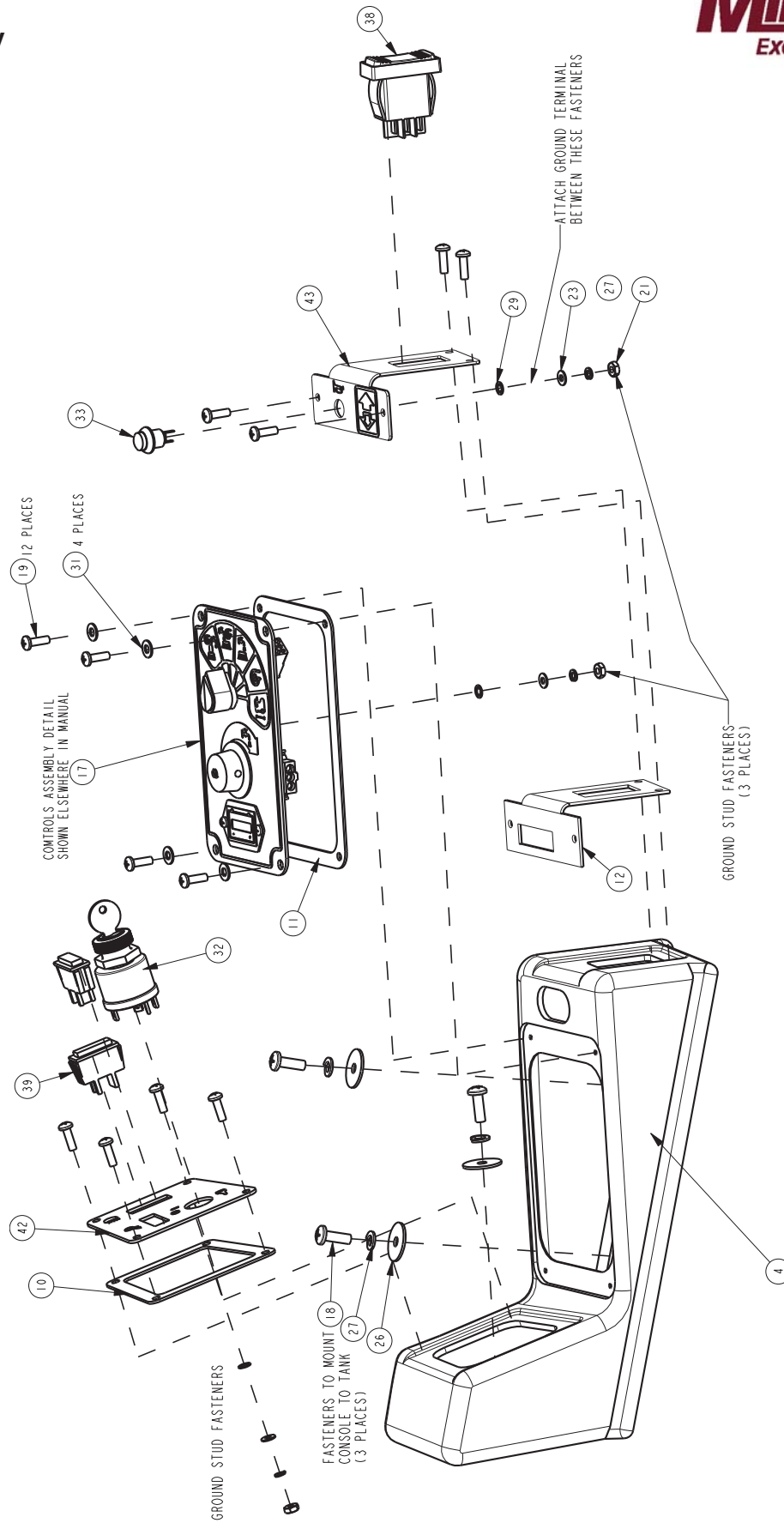


BILL OF MATERIAL - 282301

ITEM	PART NO.	QTY	DESCRIPTION
1	281047	1	SPRING, EXTENSION - 2.75"
2	281328	1	SHAFT,LOWER STEERING
3	281331	1	ACCEL PEDAL WMT
4	281392	2	BEARING FLANGE ASSEMBLY 3/4 (MCH)
5	281484	1	SHAFT,UPPER ST EERING
6	281989	1	STEERING ASSY, TOP
7	282302	1	STEERING WELDMENT, LOWER
8	282303	1	SPRING - EXTENSION 1.375" F.L.
9	282309	1	ADJUSTMENT LEVER AND PIVOT PIN ASSY
10	383098	1	UNIVERSAL JOINT
11	383152	1	STEERING WHEEL
12	383277	3	KEYWOODRUFF 3/16 X 3/4
13	430051	1	RETURN SPRING-3.00"
14	710153	4	SCR-MC 10-32X.37
15	711374	2	NUT-NYLOC 5/16-18
16	711380	2	NUT-NYLOC 3/8-16 NUT
17	711506	4	WSR-FLT .344 X .690 X .062, STEEL
18	711521	2	WSR-WAVE .21 X .44 X .02
19	712102	1	BLT- SHLDR 1/2 X 1-1/2
20	712301	2	WSR-FLAT .37 X .87 X .06
21	712310	1	WSR- FLAT .52 X .87 X .06 PL
22	809148	5	RETAINING RING - "E" TYPE EXT .75
23	363-816	1	NUT NYLOC 1/2-20
24	70-516-16	4	BLT-CAR 5/16-18 X 1.00 ZP
25	712099PLT	2	BLT- SHLDR 1/2 X 1/2 ZINC PLT
26	748013-2	1	POTENTIOMETER BOX ASSEMBLY



Console Assembly

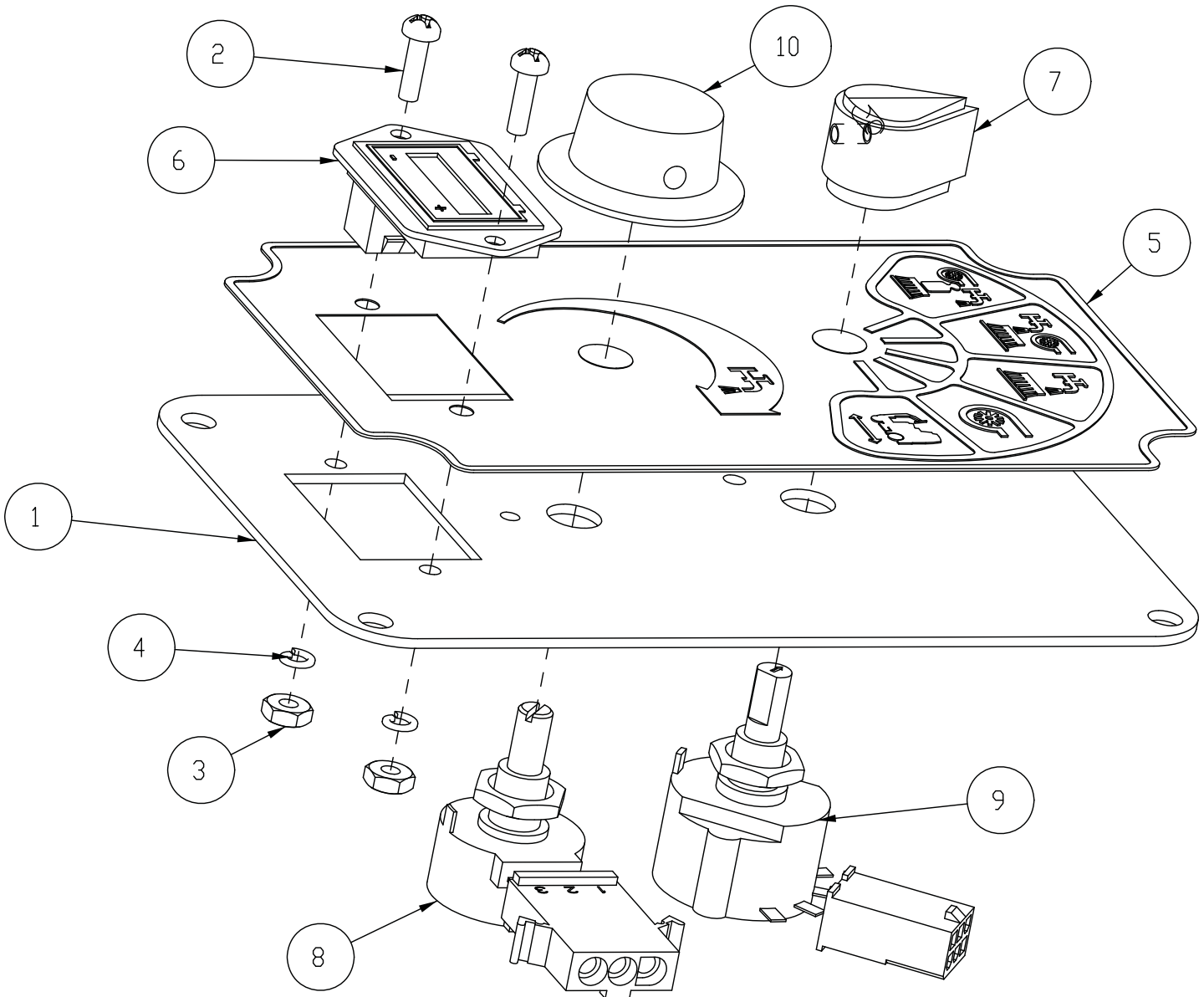


Solution Tank, Seat & Console Assembly BOM



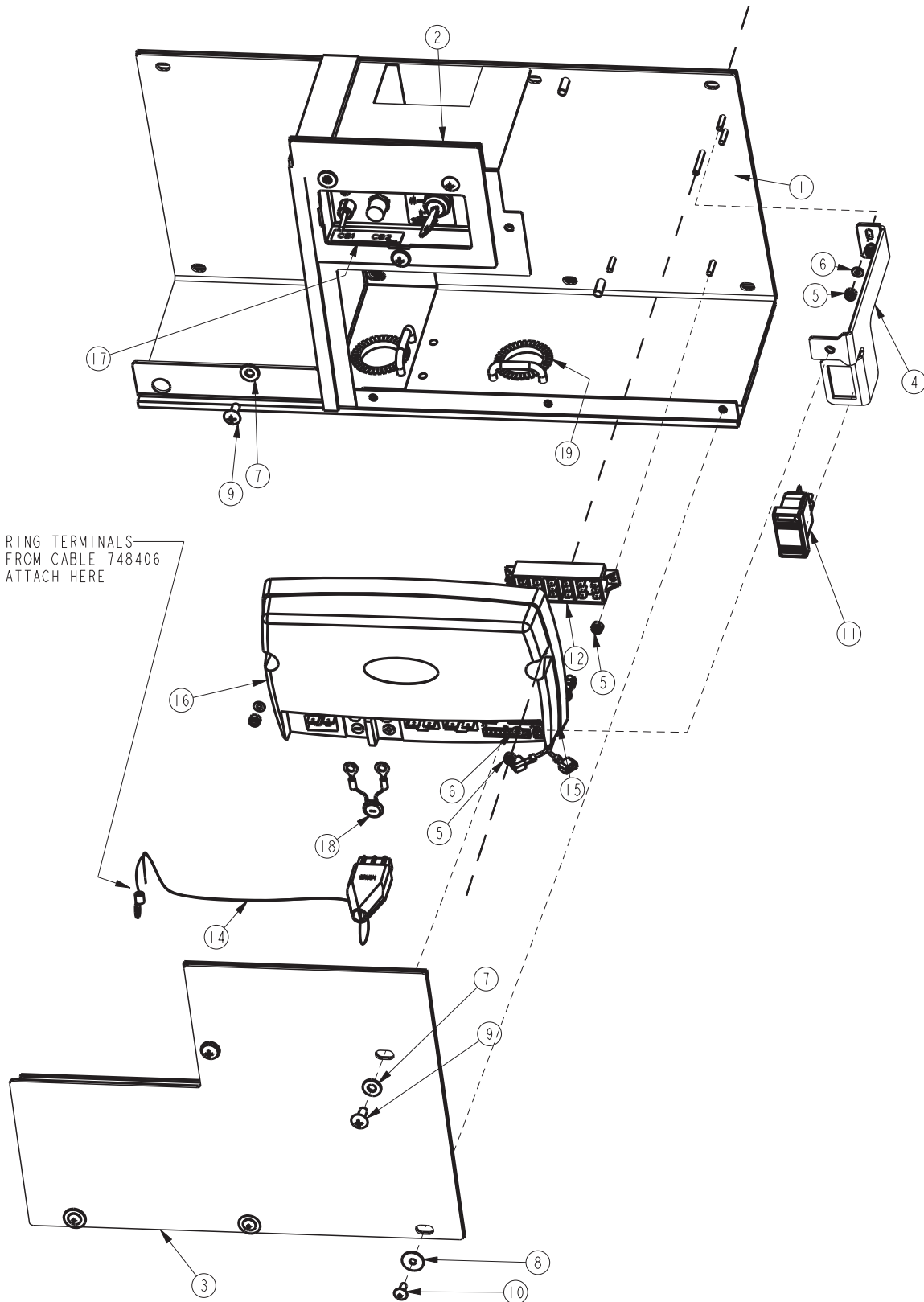
BILL OF MATERIAL - 281012MS

ITEM	PART NO.	QTY	DESCRIPTION
1	200024	1	WSR-GH, BLACK PVC
2	241825	1	SWIVEL ADAPTOR - BR, 3/4 FGHT X 1/2 FPT
3	281002	1	SOLUTION TANK - 2800
4	281005	1	2800 CONSOLE
5	281093	2	FTG-ELBOW 90 ST 1/2 MPT X 1/2 FPT BRASS
6	281224	1	ASSY, ELEC BOX, E-RIDE 2832 SPORT
7	281363	2	SEAT GASKET - LONG
8	281364	2	SEAT GASKET - SHORT
9	281371	1	PLUG-VENT
10	281372	1	GASKET - IGNITION SWITCH PANEL
11	281373	1	GASKET - MEMBRANE SWITCH
12	281375	1	GASKET - DIRECTION SWITCH
13	281380	1	COVER-SOLUTION TANK PLASTIC
14	281381	1	SOLN TANK HINGE SUB-ASSY - RIGHT
15	281382	1	SOLN TANK HINGE SUB-ASSY -LEFT
16	281426	1	COUPLING-3/4" HOSE X 1/2" MPT
17	281498	1	SELECTOR SWITCH ASSEMBLY, SCV2832
18	383449	2	FTG-ELBOW 90 1/2 MPT X 1/2 HB BRASS
19	710380	11	SCR-RHMS 1/4-20 X .75 ZP
20	711161	10	SCR-HI/LO 10 X .75 BLACK ZINC PAN HD
21	711304	3	NUT-HEX 8-32 ZP
22	711316	2	NUT-HEX 1/4-20 ZP
23	711502	2	WASHER-FLAT #8 ZP
24	711504	2	WASHER-FLAT 1/4 SS
25	711505	18	WASHER-FLAT 1/4 ZP
26	711519	4	WASHER-FLAT 1/4 X 1.00 X .06 ZP
27	711542	4	WASHER-LOCK #8 SPLIT ZP
28	711544	14	WASHER-LOCK 1/4 SPLIT ZP
29	711552	3	WASHER-INT LOCK #8
30	711564	2	WASHER-EXT LOCK 1/4 ZP
31	712320	4	WASHER-FLAT 20 X .45 X .048 NYLON
32	742927	1	SWITCH, KEY 2 POLE
33	748047	1	SWITCH, PUSH BUTTON (HORN SCV 36V)
38	748151	1	SWITCH, ON-ON DPDT (FWD/REV)
39	748154	2	SWITCH-BLANK .43x1.2 (742716)
41	3315536	1	FTG-ELBOW 90 1/2 MPT X 3/4 HB PP
42	281378SP	1	KEY SWITCH PLATE SCREEN PRINTED
43	281497SP	1	DIRECTION CONTROL PANEL SCR N PRNTSCV2832
44	742708-4	1	FLOAT SWITCH, W/WEATHERPACK
45	748138E	1	WIRE HARNESS, SCV2832E FRONT



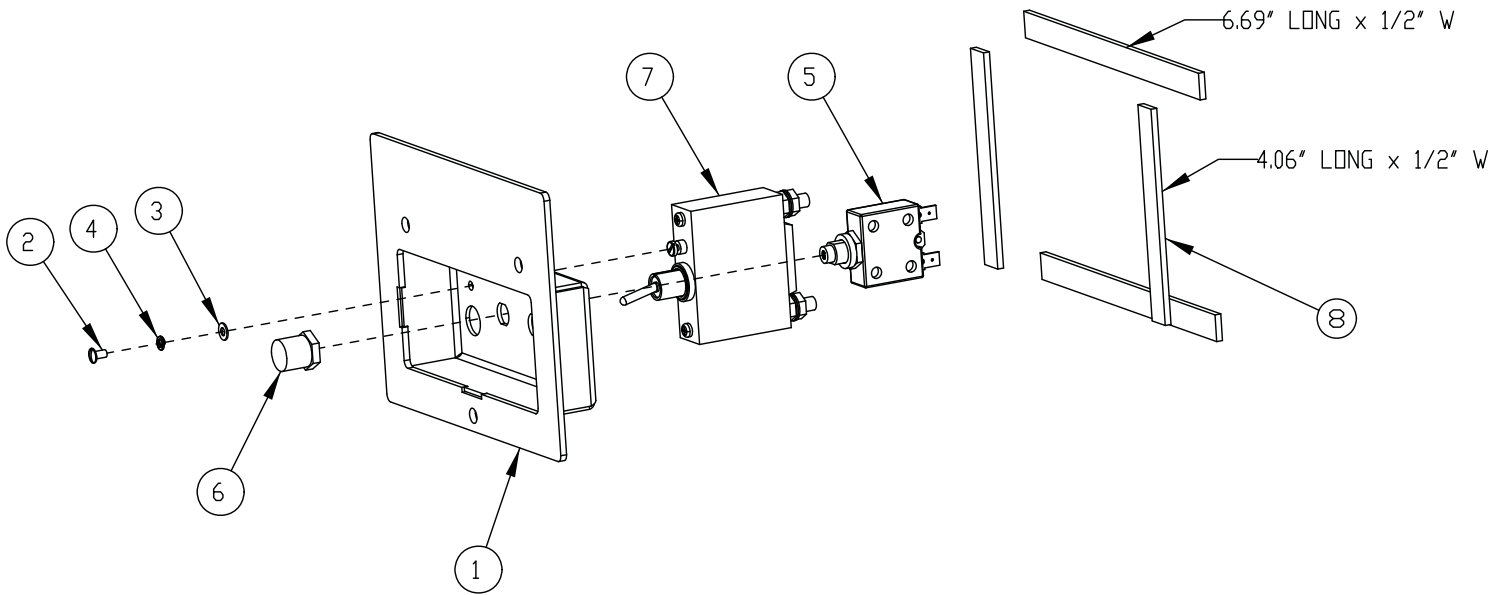
BILL OF MATERIAL - 281498

ITEM	PART NO.	QTY	DESCRIPTION
1	281499	1	BKT , CONTROLS
2	710204	2	SCR-M C 6-32 X .50 ST PL PAN HD
3	711301	2	NUT -HEX 6-32 ST PL
4	711541	2	WSR-HELICAL #6 ST PL
5	715455	1	DECAL, CONT ROLS
6	747011	1	BATTERY GAUGE, TRUCHARGE
7	747020	1	KNOB-M ODE SELECT OR
8	747025	1	POTENTIOMETER ASSY WATERFLOW
9	747027	1	SWITCH ASSY, MODE SELECTOR
10	809874	1	KNOB, SPEED CONTROL



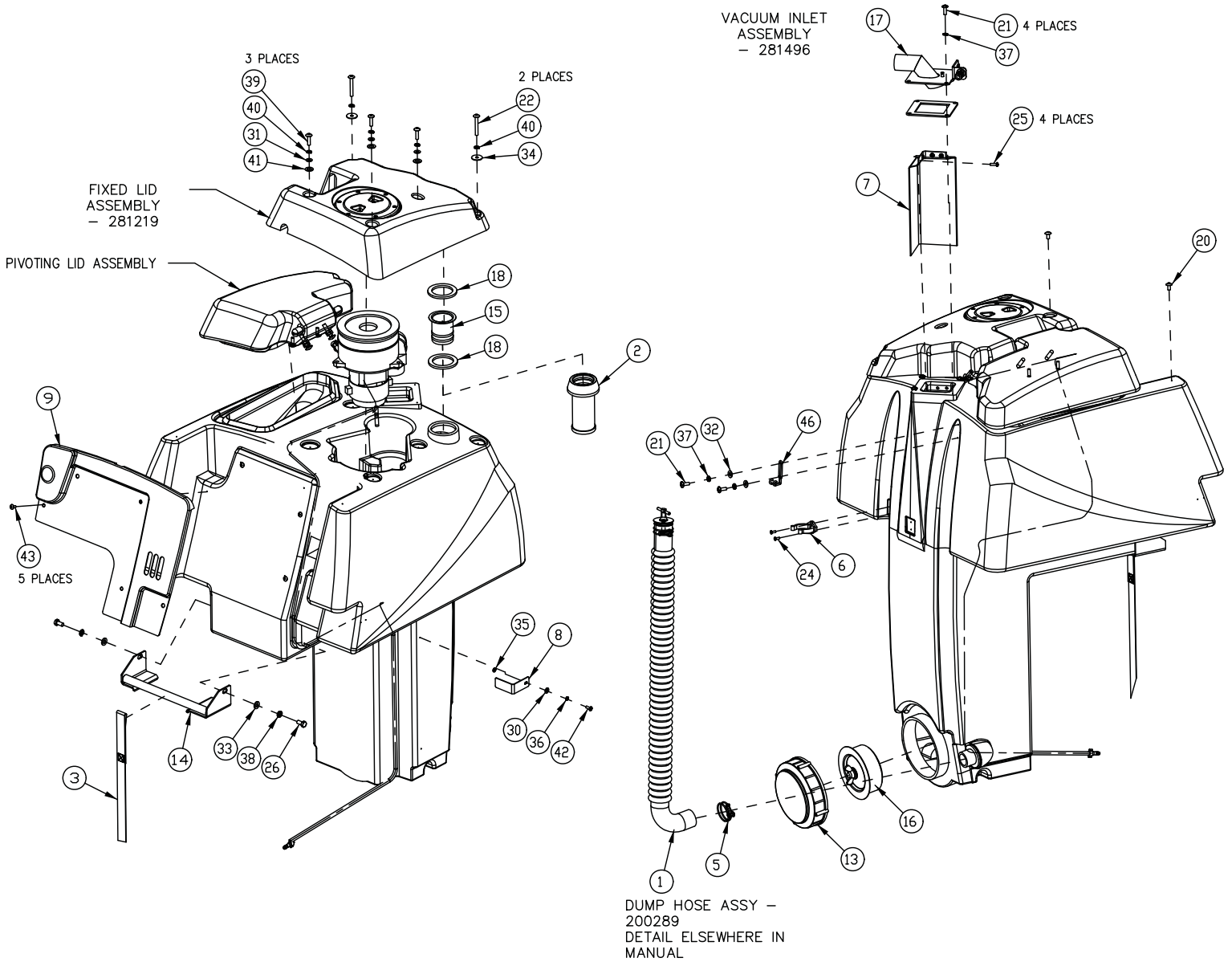
BILL OF MATERIAL - 281224

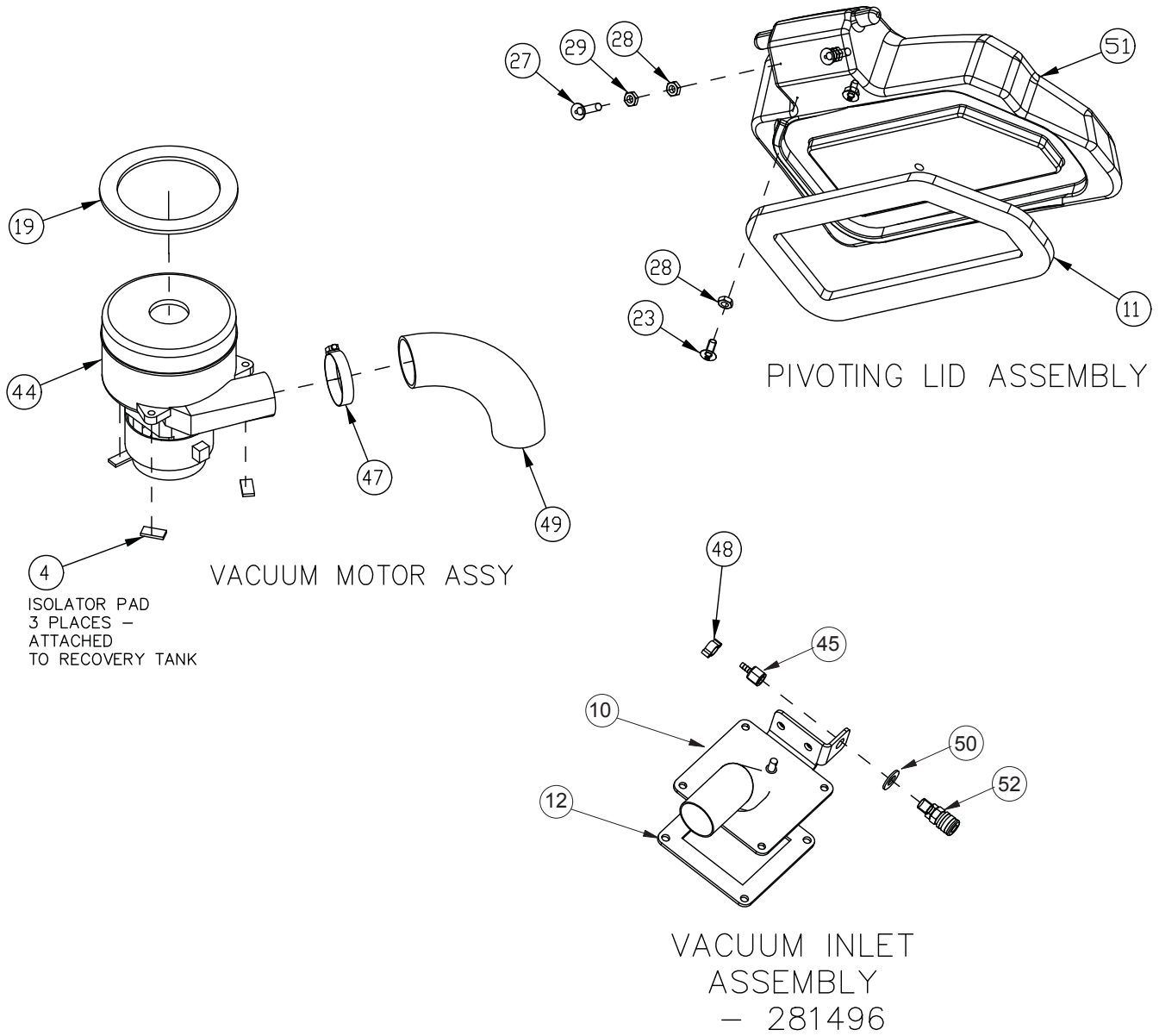
ITEM	PART NO.	QTY	DESCRIPTION
1	281229	1	ELECTRICAL BOX WELDMENT - E RIDE 2832
2	281245	1	ASSY, CONTROL PANEL, BRKR & KEY SWITCH
3	281412	1	ELECTRICAL COVER PANEL
4	281982	1	BKT, ELEC BOX, SCV2832
5	711372	2	NUT-NYLOC 8-32 ZP
6	711502	2	WASHER-FLAT #8 ZP
7	711505	18	WASHER-FLAT 1/4 ZP
8	711748	3	WASHER-FLAT #10 X .75 SS
9	712565	2	SCR-THMS 1/4-20 X .62 SS
10	712822	3	SCR-THMS 10-24 X .50 SS
11	748152	1	SW DPDT MOMENTARY ON-OFF-ON SCV2832E DE
12	748153	1	TERMINAL BLOCK-C=4 P=4/C=1 P=8
13	748318	1	DUAL QC WIRE, ERIDE 28/32 SPORT
14	748406	1	WIRE ASY, BRUSH MOTOR ER2832
15	748432	1	WIRE ASY, Y-SPLIT 1/4" QC
16	748721	1	CONTROLLER, TRIO + WET (FLOODED) BAT
17	715641-2	1	DECAL, CIRCUIT BREAKER ID
18	748269-1	1	VARISTOR ASY, RING TERMINALS 1/4"
19	281449	1	SERRATED GROMMET STRIP - .187IN



BILL OF MATERIAL - 281245			
ITEM	PART NO.	QTY	DESCRIPTION
1	281234	1	CONTROL PANEL, WELD, BRKR & KEY SWITCH
2	710202	1	SCR-PHMS 6-32 X .25 ZP
3	711501	1	WASHER-FLAT #6 X .375 ZP
4	711541	1	WASHER-LOCK #6 SPLIT ZP
5	715465	1	DECAL, DISK SPEED, KEY-SWITCH
6	742350	1	CIRCUIT BREAKER- 6.0AMP PUSH BUTTON
7	742748	1	CIRCUIT BREAKER-BOOT
8	748012	1	CIRCUIT BREAKER- 100A
9	748422	1	HARNES, WIRE, BRUSH SPEED KEY SWITCH
10	830557	1.67	DORTITE 1/2 INCH RM 1 F

Recovery Tank Assembly I



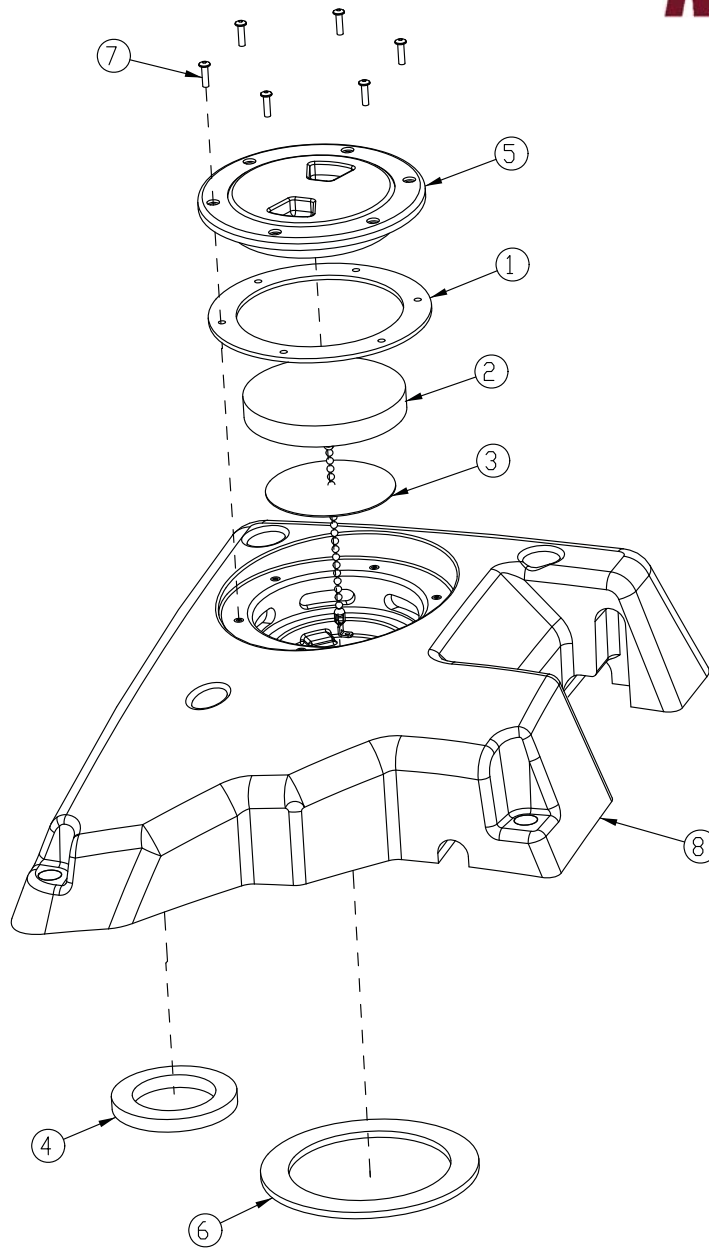


BILL OF MATERIAL - 281010M

ITEM	PART NO.	QTY	DESCRIPTION
1	200289	1	DUMP HOSE ASM
2	241060	1	SCREENED FLOAT
3	241433	1	RECOVERY TANK SAFETY STRAP
4	241748	3	ISOLATOR PAD - 1" LENGTH USE 830557
5	3303255	1	CLAMP-HOSE 1.75 DIA NOMINAL
6	260579	1	TOOL CLIP, 1.5: HOSE
7	281019	1	DEFLECTOR
8	811022	3	BRACKET, TANK SC2832
9	281099	1	WIRE COVER
10	281490	1	VAC INLET WMT, SCV2832
11	281358	1	GASKET, MOVABLE LID - SCV
12	281951	1	DIVERTER BOTTOM GASKET
13	281432	1	CAP 6" CLEANOUT SCV
14	281437	1	STRAP HOLDER WMT
15	281439	1	SHUTOFF FLANGE TUBE
16	281444-1	1	STOPPER PLUG ASSY
17	281496	1	VAC INLET ASSY, SCV 2832
18	281950	2	FLOAT CAGE GASKET
19	380035	1	MOTOR GASKET
20	710178	2	SCR - MC 1/4-20 X .50 TRUSS ST PL
21	710180	6	SCR - MC TR HD 1/4-20 X .75 STL ZINC
22	710190	2	SCR - MC 1/4-20 X 2.00 TRUSS PL SS
23	710197	2	SCREW TRUSS HEAD 5/16-18 X .75 PH ZP
24	710530	2	SCR - MC FL HD 8-32 X .50 BRS
25	711161	4	SCR - HI/LO 10 X 3/4 STL BLK ZINC
26	711227	2	BLT - HH 5/16-18 X .62 ST PL

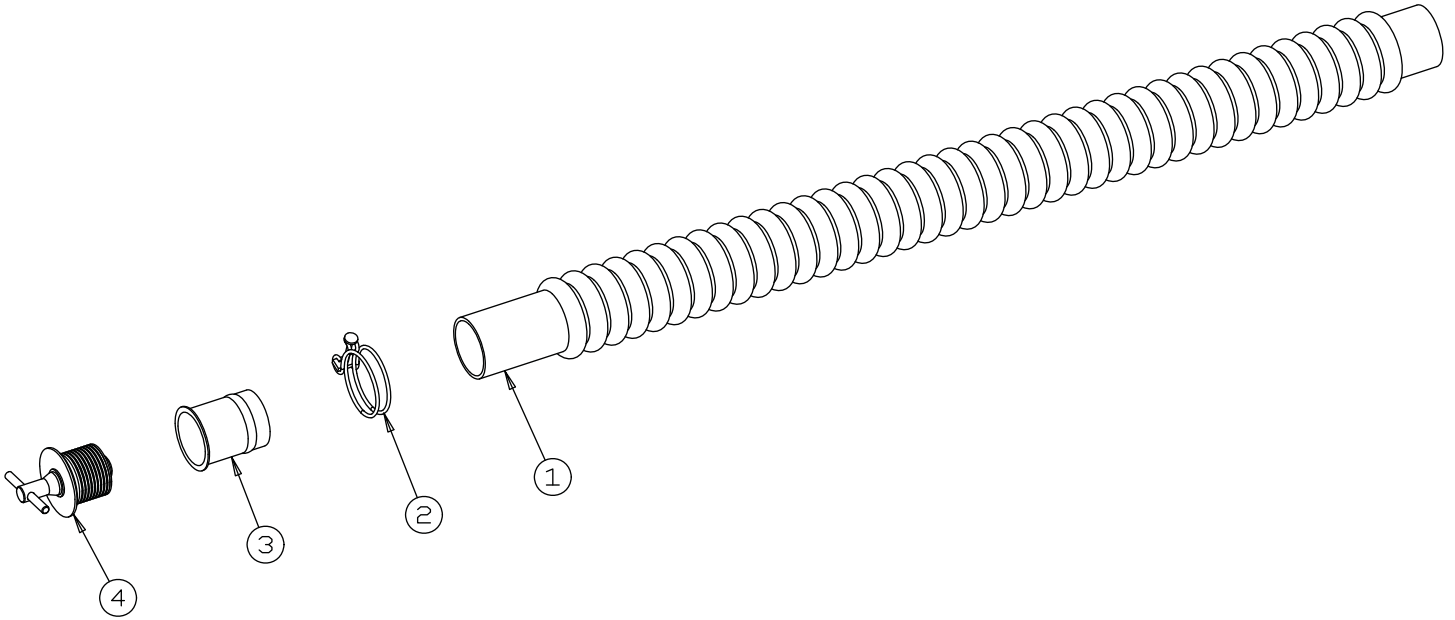
BILL OF MATERIAL - 281010M

ITEM	PART NO.	QTY	DESCRIPTION
27	711256	2	5/16-18 X 1.5 CARRIAGE BOLT SS
28	711319	4	5/16-18 HEX NUT
29	711420	2	NUT - HEX JAM 5/16-18 ST PL
30	711503	3	WSR, FLAT #10
31	711504	3	WSR - FLAT 1/4 ID SS
32	711505	2	1/4 FLAT WASHER, STEEL
33	711506	2	WSR - FLT .344 X .690 X .062 STEEL
34	711519	2	WSR - FLAT .25 X 1.01 X .06
35	711534	3	WSR - EXTERNAL LOCK #10
36	711543	3	WSR - HELICAL #10
37	711544	6	WSR - HELICAL 1/4
38	711545	2	WSR - HELICAL 5/16
39	712541	3	SCR - MC 1/4-20 X 1.00 TH SS
40	712758	5	WSR - HELICAL 1/4 SS
41	712767	3	FLAT WASHER .406 ID X .75 OD
42	712811	3	SCR - MC RD HD 10-24 X .50 ST PL
43	712822	5	SCR - MC TR HD 10-24 X .50 SS
44	742771-1	1	VAC MOTOR ASSY, 36VDC 3-STAGE
45	450223	1	FTG-ADAPTER 1/8 FPT X 1/8 HB BRASS
46	760286	1	HOOK, WIRE FORMED
47	760859	1	CLAMP, HOSE
48	830082	1	HOSE CLAMP 3/8
49	833191	1	HOSE RUBBER FLEX 2 X 9
50	711515	1	WASHER-FLAT 3/8 X .812 X .0625 ZP
51	281007HG	1	LID - PIVOTING, E RIDE 2832
52	450221	1	COUPLER-QUICK CONNECT, 1/8MPT



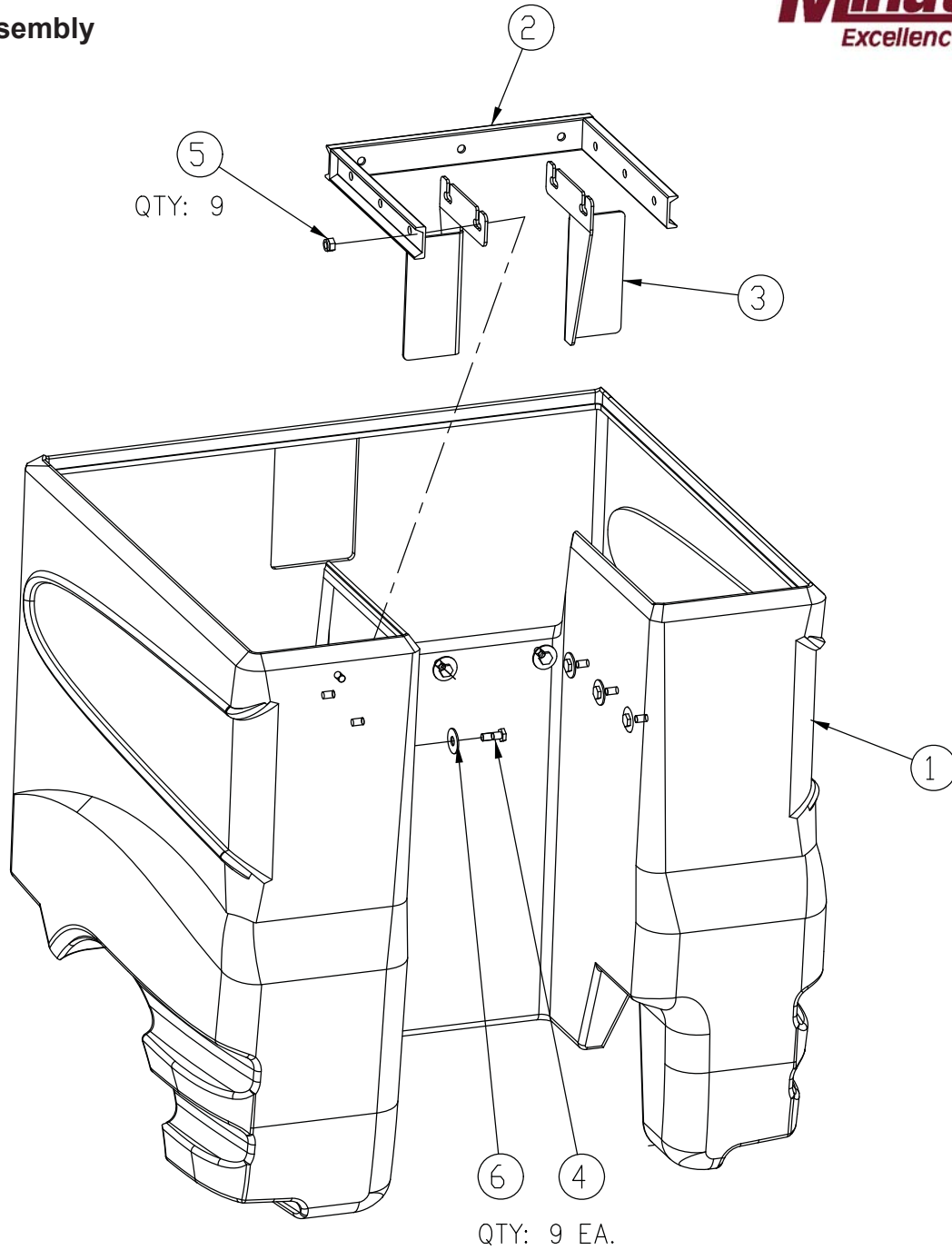
BILL OF MATERIAL - 281219

ITEM	PART NO.	QTY	DESCRIPTION
1	281018	1	GASKET , NEO 6.00 X 4.50 X .125
2	281055	1	VAC MOTOR FILTER
3	281056	1	VAC MOTOR INLET SCREEN
4	281073	1	INLET GASKET
5	281423	1	FILL CAP W/CHAIN ASSY 4.00
6	380035	1	MOTOR GASKET
7	712516	6	SCR-BHCS #8-32 x .62 SS
8	281006HG	1	LID - FIXED



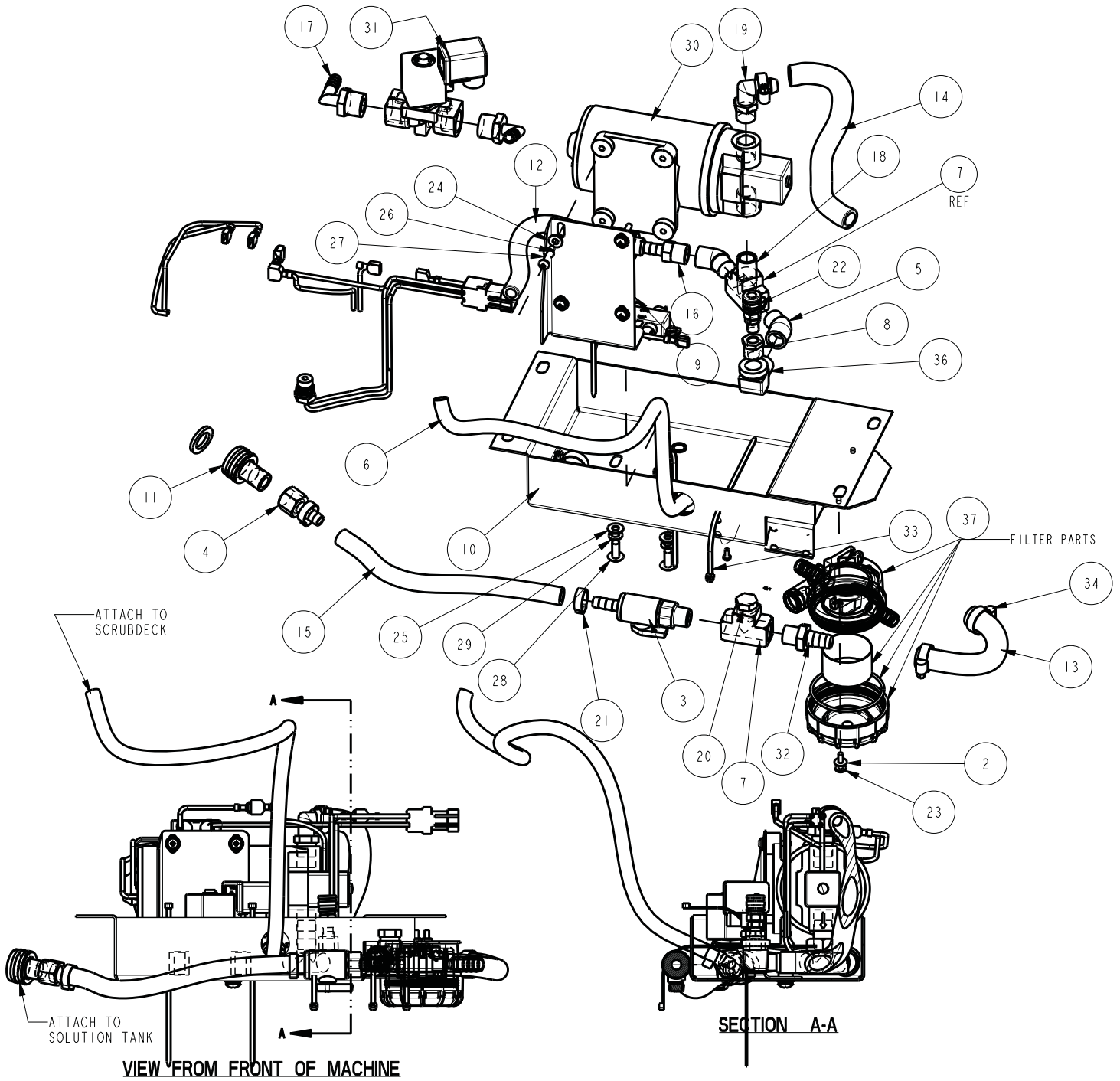
BILL OF MATERIAL - 200289			
ITEM	PART NO.	QTY	DESCRIPTION
1	200198	1	DUMP HOSE
2	3303255	1	CLAMP-HOSE 1.75 DIA NOMINAL
3	760343	1	TUBE, HOSE - 24/32B
4	833316	1	DRAIN PLUG

Battery Box Assembly



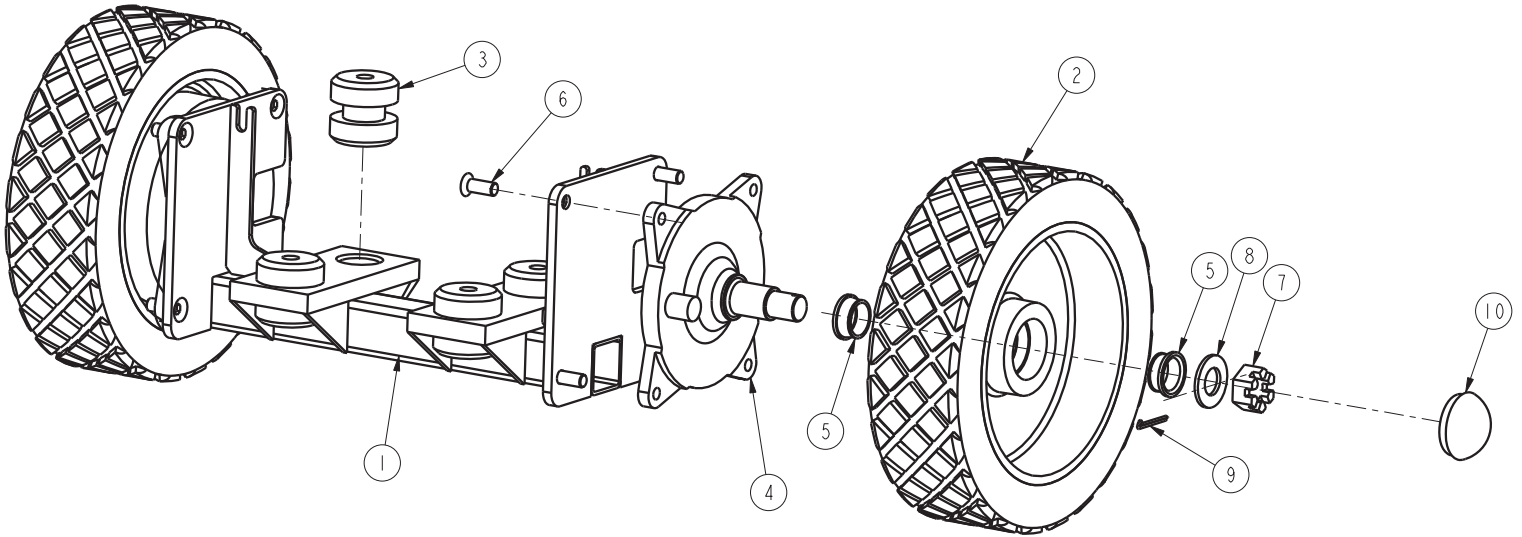
BILL OF MATERIAL - 281014

ITEM	PART NO.	QTY	DESCRIPTION
1	281004	1	BATTERYTRAY- 2800
2	281059	1	BATTERYBOX STIFFENER WM'T
3	281672	2	BKT, BATTERYSTOP
4	711229	9	BLT-HH 5/16-18 x .875
5	711374	9	NUT-NYLOC 5/16-18
6	711507	9	WSR-FLAT .37 X 1.12 X .06

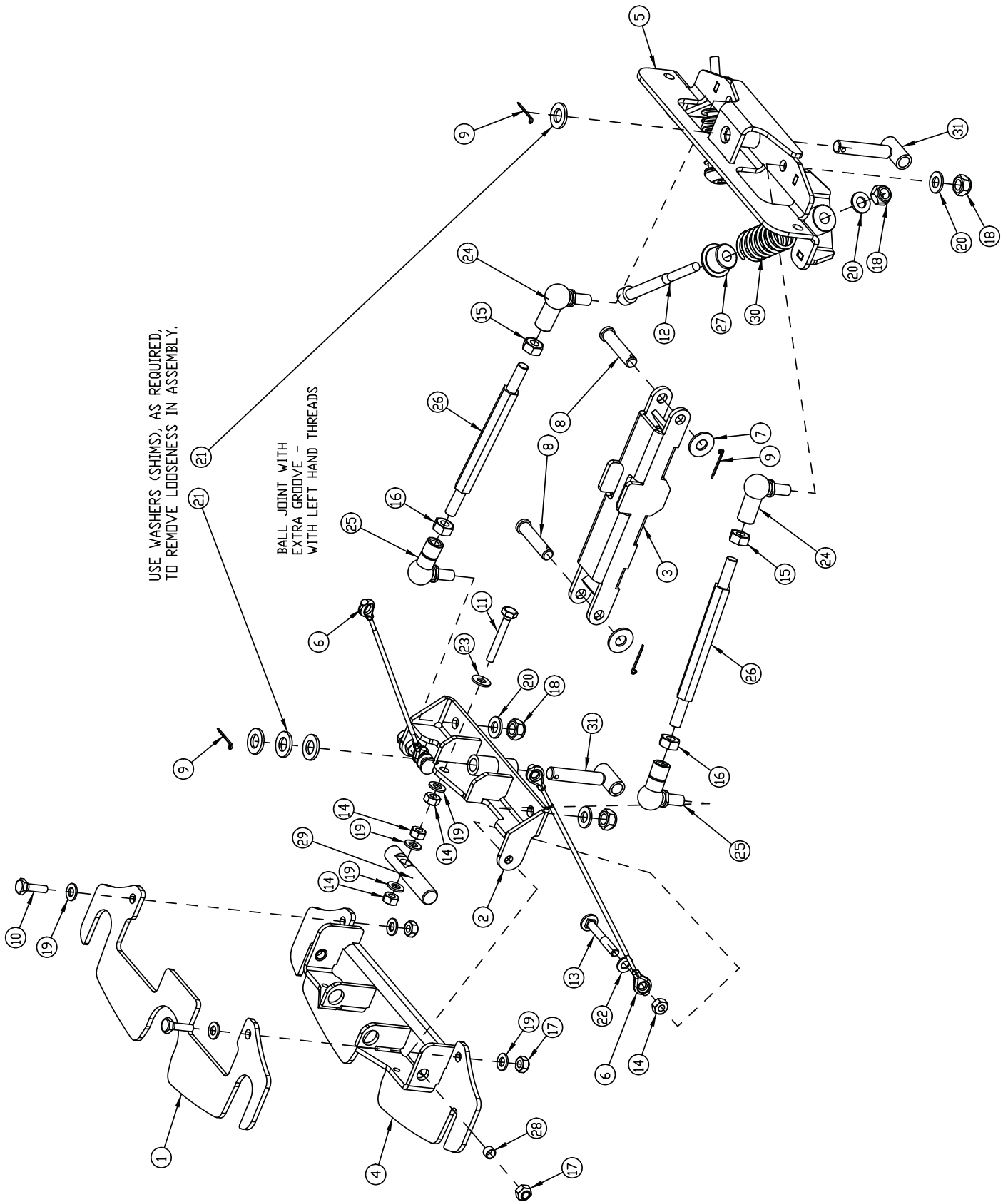


BILL OF MATERIAL - 281395

ITEM	PART NO.	QTY	DESCRIPTION
1	730	1	SEAL-THREAD HL150 (50ML)
2	121072	2	WASHER-FLAT #8 S/S
3	173154	1	VALVE, BALL, 3/8 BARB x 3/8 MPT
4	210410	1	FTG-ADAPTER 3/8 FPT X 3/8 HB BRASS
5	220245	2	FTG-ELBOW 45 3/8 MPT X 3/8 FPT BRASS
6	241097	1	HOSE-WIRE REINF 3/8 X 31"
7	281090	2	FTG-TEE 3/8 FPT X 3/8 FPT X 3/8 FPT BRAS
8	281091	1	FTG-REDUCER 3/8 MPT X 1/8 FPT BRASS
9	281368	1	PUMP MOUNT PLATE
10	281394	1	BOX, MTG, SOLUTION PUMP WELD
11	281425	1	SW-SWIVEL CONNECTOR-3/4 GHT X 3/8 MPT
12	281846	1	HOSE, WIRE REINF 3/8 ID, 8.00"LG
13	281847	1	HOSE, WIRE REINF 1/2 ID, 5.50"LG
14	281848	1	HOSE, WIRE REINF 1/2 ID, 8.50"LG
15	320254	1	HOSE-WIRE REINF 3/8 X 9"
16	342430	1	FTG-ADAPTER 3/8 MPT X 3/8 HB BRASS
17	383327	2	FTG-ELBOW 90 1/2 MPT X 3/8 HB PP
18	383332	1	FTG-NIPPLE 3/8 MPT BRASS
19	383337	1	FTG-ELBOW 90 3/8 MPT X 1/2 HB PP
20	383479	1	FITTING 3/8 PLUG
21	450076	2	CLAMP-HOSE 5/8 (.590-.791) SS
22	450221	1	COUPLER-QUICK CONNECT, 1/8MPT
23	710130	2	SCR-THMS 8-32 X .62 SS
24	711503	4	WASHER-FLAT #10 X .50 ZP
25	711504	2	WASHER-FLAT 1/4 SS
26	711553	4	WASHER-INT LOCK #10
27	712531	4	SCR-FHMS 10-24 X 1.00 FH SS
28	712565	2	SCR-THMS 1/4-20 X .62 SS
29	712758	2	WASHER-LOCK 1/4 SPLIT SS
30	742709-6	1	PUMP ASY- ER2832 NO CE COMPONENTS
31	748390	1	SOLENOID, 36VDC VITON DIN43650
32	827008	1	FTG-ADAPTER 3/8 MPT 1/2 HB BRASS
33	828062-B	5	CABLE TIE-LARGE (BLACK)
34	829129	7	CLAMP-HOSE WORM-DRV8-22MM HOSE DIA. 5/16
35	829552	1	TAPE-TEFLON PIPE 1/2"
36	830062	1	FTG-ELBOW 90 3/8 MPT X 3/8 FPT BRASS
37	97113377	1	FILTER ASSY, WATER



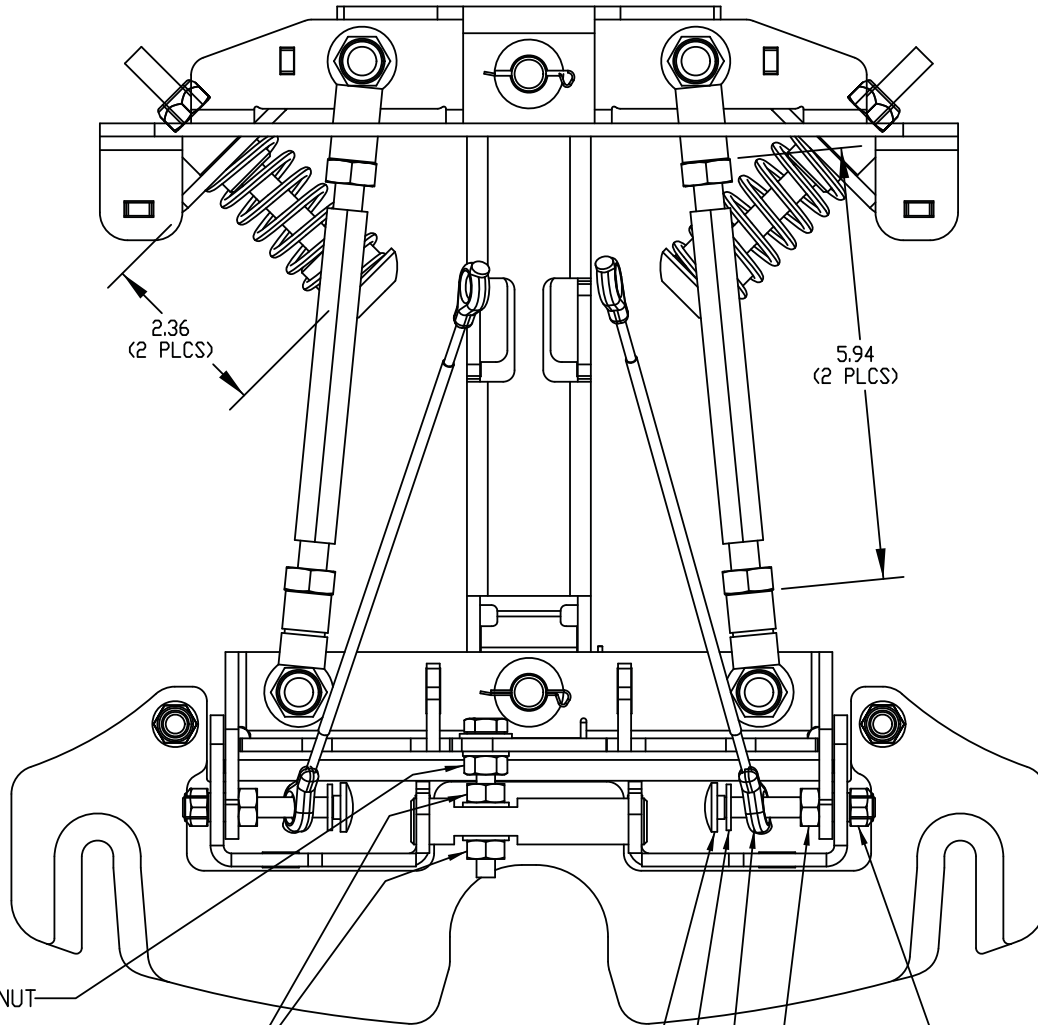
BILL OF MATERIAL - 281201E			
ITEM	PART NO.	QTY	DESCRIPTION
1	281202	1	REAR AXLE WMT
2	281210	2	REAR WHEEL ASSY
3	281213	4	RING & BUSHING ISOLATOR
4	281460	2	AXLE CASTING, REAR - SCV 28/32E
5	3300471	4	BEARING-TAPERED ROLCONE W/SEAL
6	711169	8	SCR-1/2-20 X 1.25 SOCKET FH W/ PATCH
7	711450	2	NUT-SLOTTED, 1-14 UNS
8	711514	2	WSR-FT 1.0 ID X 2.0 OD
9	380-632-20	2	3/16 COTTER PIN
10	383241PTD	2	GREASE CAP WHEEL-PAINTED



BILL OF MATERIAL - 281230

ITEM	PART NO.	QTY	DESCRIPTION
1	241283	1	SQUEEGEE MOUNTING PLATE
2	241284	1	PIVOT BRACKET
3	241291	1	ARM WELDMENT
4	241294	1	SQUEEGEE MOUNTING WELDMENT
5	241757	1	MOUNTING BRACKET WELDMENT - SQUEEGEE
6	281241	2	LIFT CABLE
7	711508	2	WSR-FLAT .44X 1.0X.08
8	711727	2	CLEVIS PIN, 7/16 x 2.0"
9	809311	4	PIN-COTTER 7/64 DIAX 1
10	11038247	2	BOLT - HH, M8 X 1.25 X 25, STL, ZINC DICH
11	11038299	1	SCR-HH M8-1.25 X 45 ZP CLASS 8.8
12	11126653	2	SCR -SHCS, M10 X 110 length, 10.9 STL
13	11620564	2	CARRIAGE BOLT - M8, ZINC DICHR
14	12022059	5	NUT - HEX, M8 STL, ZINC DICH
15	12022067	2	NUT-HEX M10 X 1.5 STL ZINC DICH CL8 DIN 934
16	12022224	2	NUT-HEX M10-10 LH-8 SS A3G DIN 934
17	12040051	4	NUT-HEX M8-6 NYLON LOCK ZINC DICHR DIN 985 A2G
18	12040069	6	NUT-HEX NYLOC M10 Z DICH
19	12310041	7	WASHER - FLT, 8.4 X 16 X 1.6, STL, ZINC DICH
20	12310058	6	WASHER = FLT, M10.5 X 20 X 2.0, STL, ZINC DICH
21	12310066	4	WSR-FLT, M13X24X2.5, Z DICH
22	12310264	2	WSR-FLT M8.4X16X1.6 SS
23	12520053	1	WASHER - SERRATED
24	16046039	2	BALL JOINT RH - A2 SS DIN 71802-CS16
25	16046088	2	BALL JOINT LH - A2 SS DIN 71802 CS16
26	90414806	2	TURNBUCKLE - METRIC, STL, ZINC DICH
27	90443979	2	BUSHING - ST EPPED, ST EEL
28	90473158	2	BUSHING
29	90537697	1	PIVOT BAR - MACHINED
30	90538307	2	SPRING - COMPRESSION
31	96098330-2	2	T BAR WELDMENT

Squeegee Mechanism Adjustment View



FULLY TIGHTEN THIS NUT

THESE (2) NUTS REMAIN LOOSE
DURING SUB ASSEMBLY.
THEY WILL BE FULLY TIGHTENED
DURING FINAL ASSEMBLY.

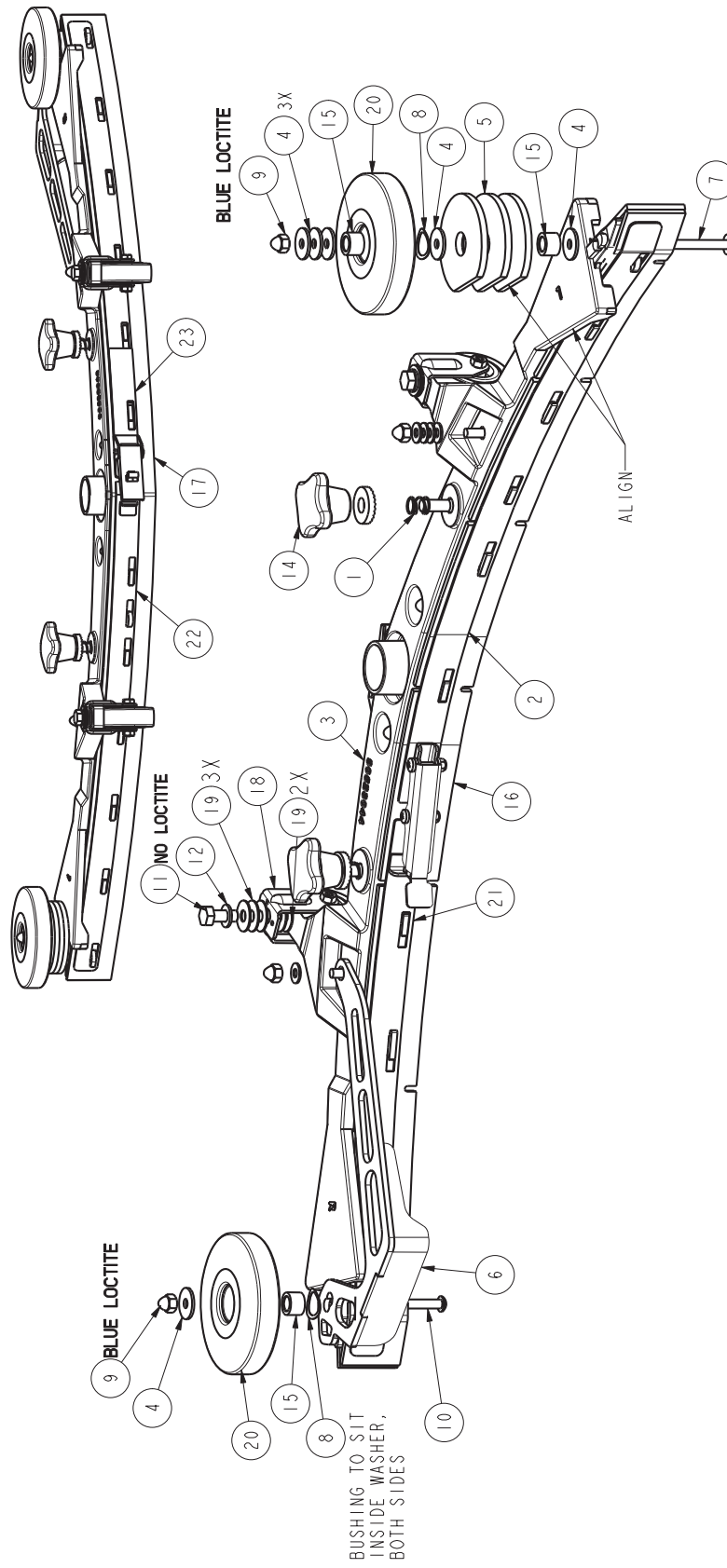
CARRIAGE BOLT, # 11620564

FLAT WASHER, # 12310264

LIFT CABLE, # 281241

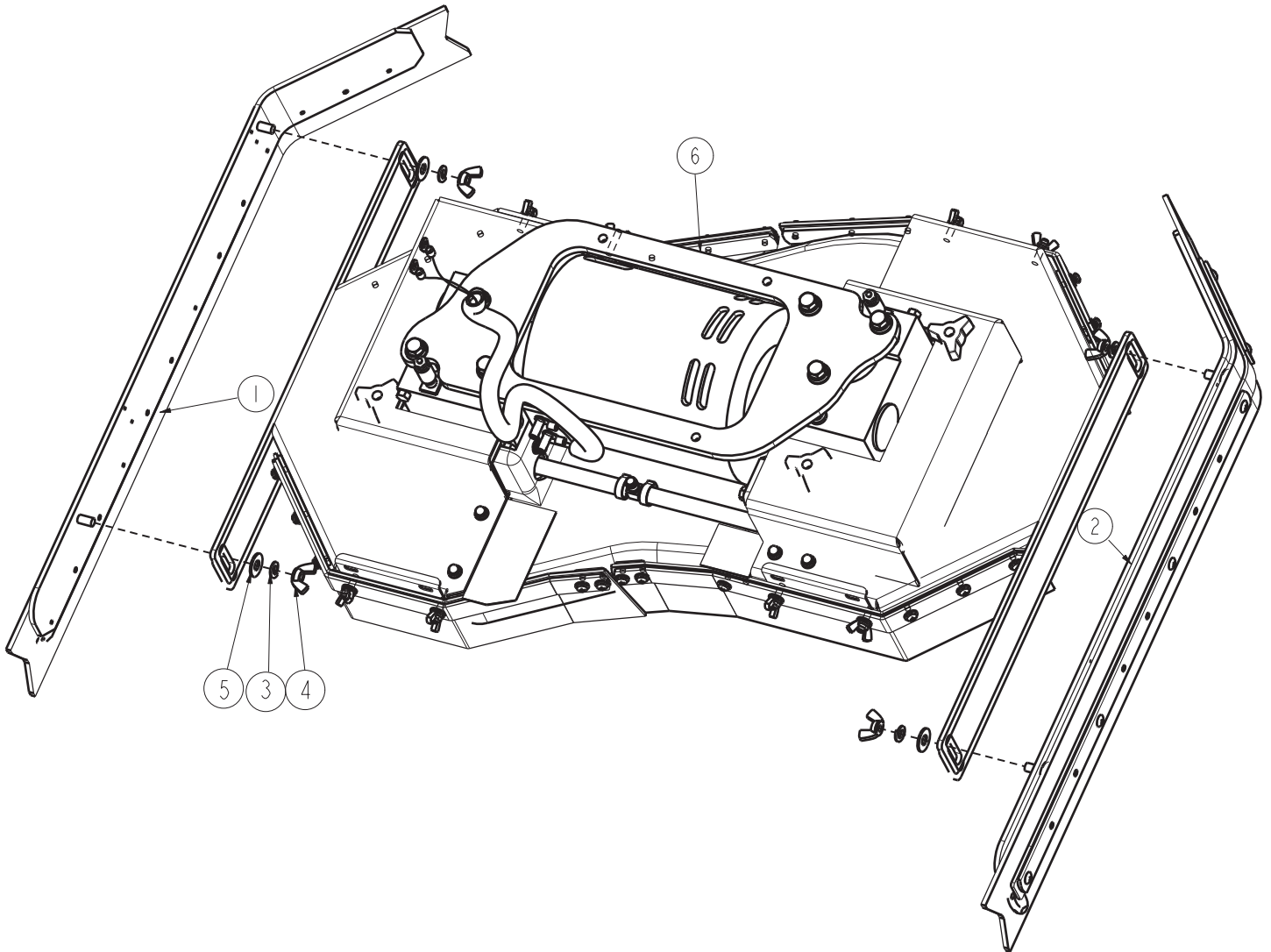
HEX NUT, # 12022059
(FULLY TIGHTENED AGAINST
THE NON THREADED SHANK)

LOCKING NUT, #12040051



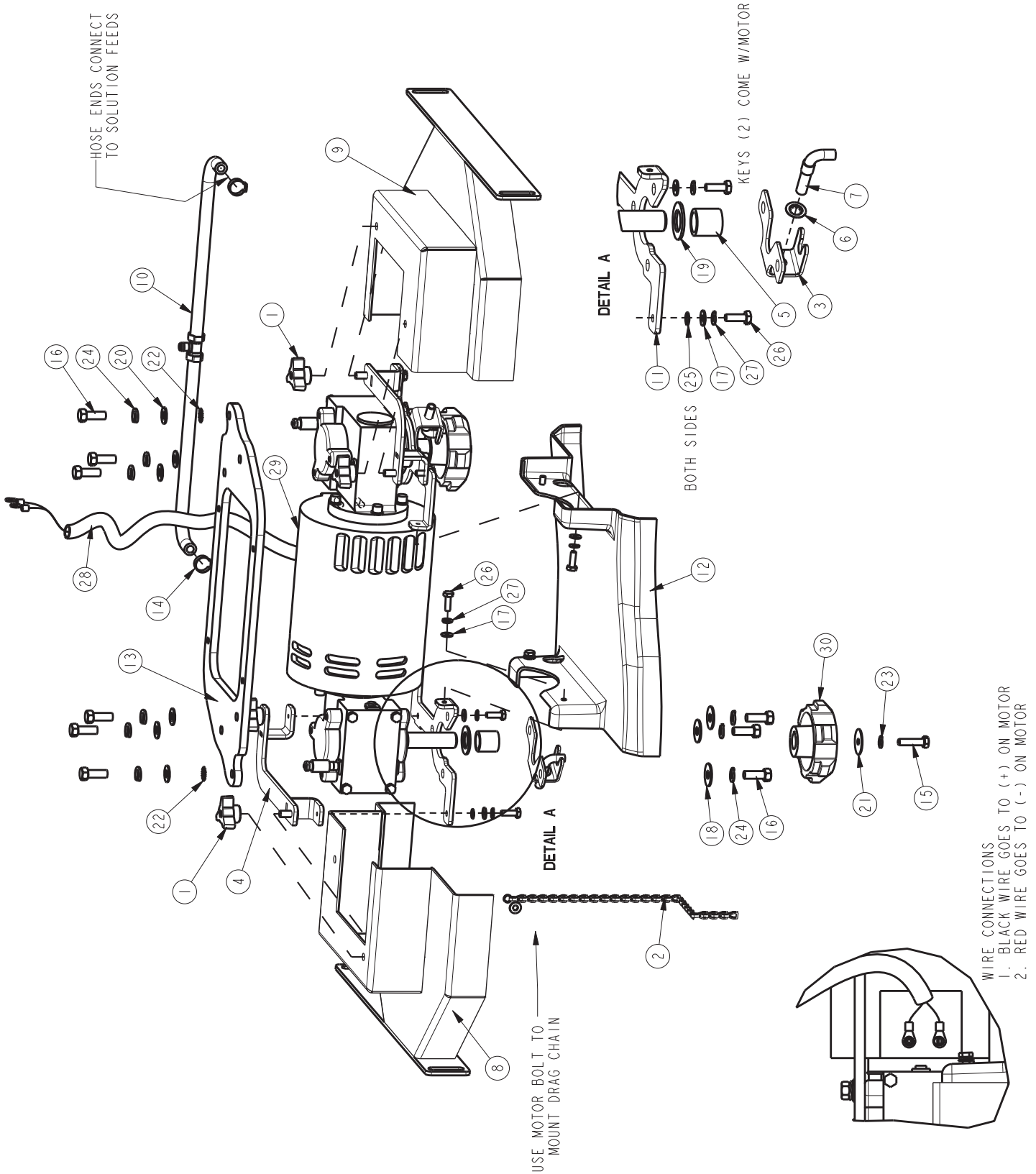
BILL OF MATERIAL - 281338

ITEM	PART NO.	QTY	DESCRIPTION
1	172429	2	SPRING, COMP .4 ID X .5FL SS
2	172448	1	STRAP W/ LATCH, FRONT LEFT, 38" SQG
3	172539	1	NLA- SEE NOTES - 38" SQG BASE ASSY, C.S.
4	173080	6	WASHER-FLAT .266 X .875 X .07 SS
5	281211	3	WSR-SNUBBING
6	281242	1	DEFLECTOR BRACKET - REAR SQUEEGEE
7	710592	1	SCR-THMS 1/4-20 X 3.00 SS
8	711525	2	WASHER-WAVE .65 X .86 X .01
9	712591	2	NUT-ACORN 1/4-20 SS
10	712592	1	SCR-BHSCS 1/4-20 X 2.25 SS
11	717030	2	SCR-HH M8-1.25 X 20 SS
12	12310264	2	WSR-FLT M8.4 X 16 X 1.6 A2 SS 140HV DIN
13	12515094	2	WSR-CONICAL SERRATED TOOTH M10.6 X 26
14	17133026	2	STAR HANDLE, M10, BLACK
15	90199019	3	BUSHING, 10 X 16 X 10.8MM ZINC
16	90493560	1	SQUEEGEE BLADE, FRONT
17	90494139	1	SQUEEGEE BLADE, REAR
18	90513094	2	FIXED CASTER
19	90531112	10	WASHER-FLAT 8.3 x 22 x 1.00mm STAINLESS
20	90548397	2	ROLLER - PLASTIC, 100mm DIA. (4")
21	96125828	1	FRONT RIGHT TENSION BAND
22	96125844	1	REAR LEFT TENSION BAND
23	96125851	1	REAR RIGHT TENSION BAND W/ LATCH



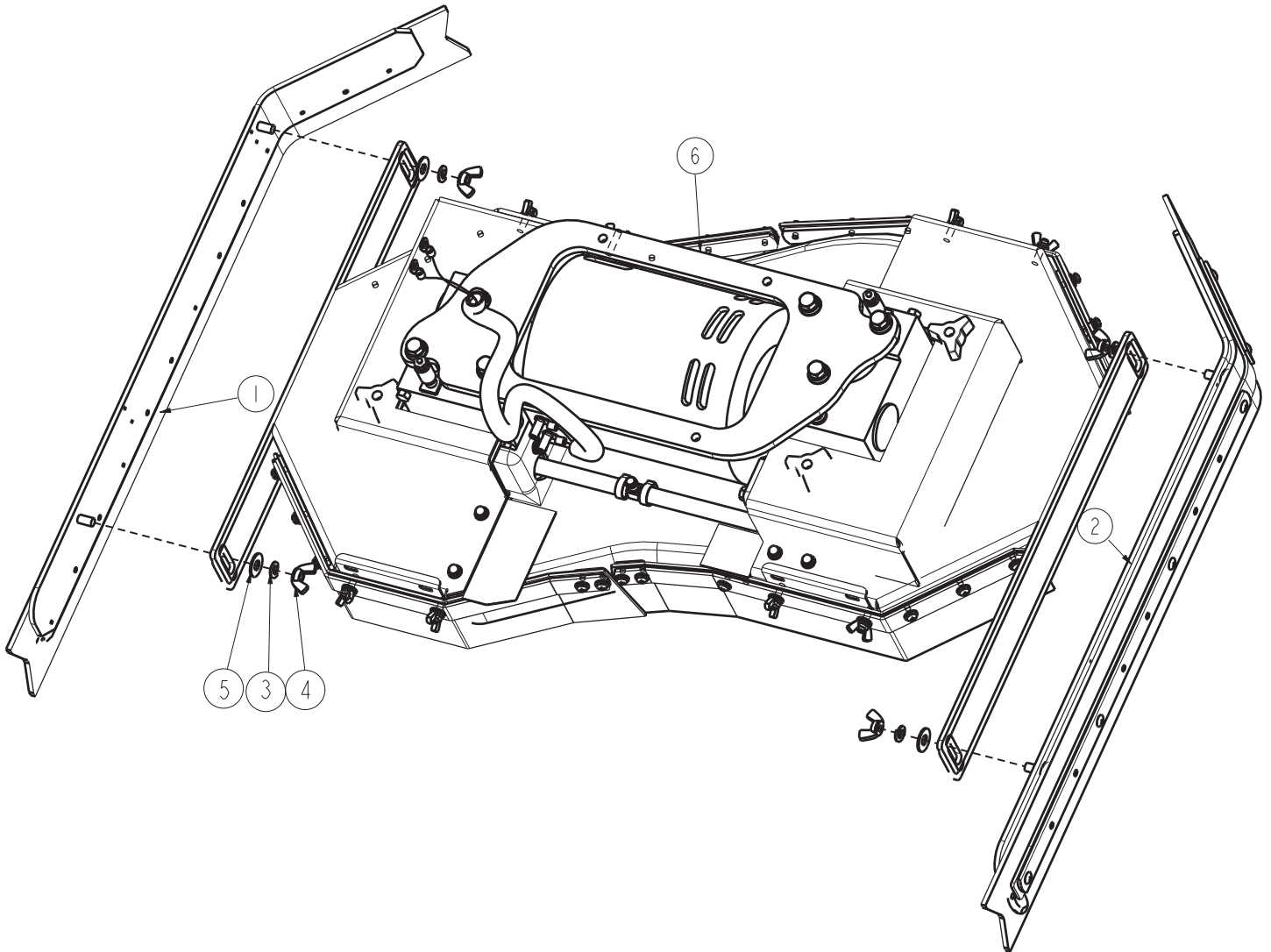
BILL OF MATERIAL - 281292S

ITEM	PART NO.	QTY	DESCRIPTION
1	281875	1	SIDE SQUEEGEE WIPE ASSY RH, SCV2832
2	281878	1	SIDE SQUEEGEE WIPE ASSY LH, SCV2832
3	712140	4	WASHER-LOCK 5/16 SPLIT SS
4	712157	4	NUT-WING 5/16-18 SS
5	712301	4	WASHER-FLAT 3/8 X .87 X .06 ZP
6	281292S-2	1	ASSY, D-SCRUBDECK ER28 SKIRT,NO SQ,SPORT



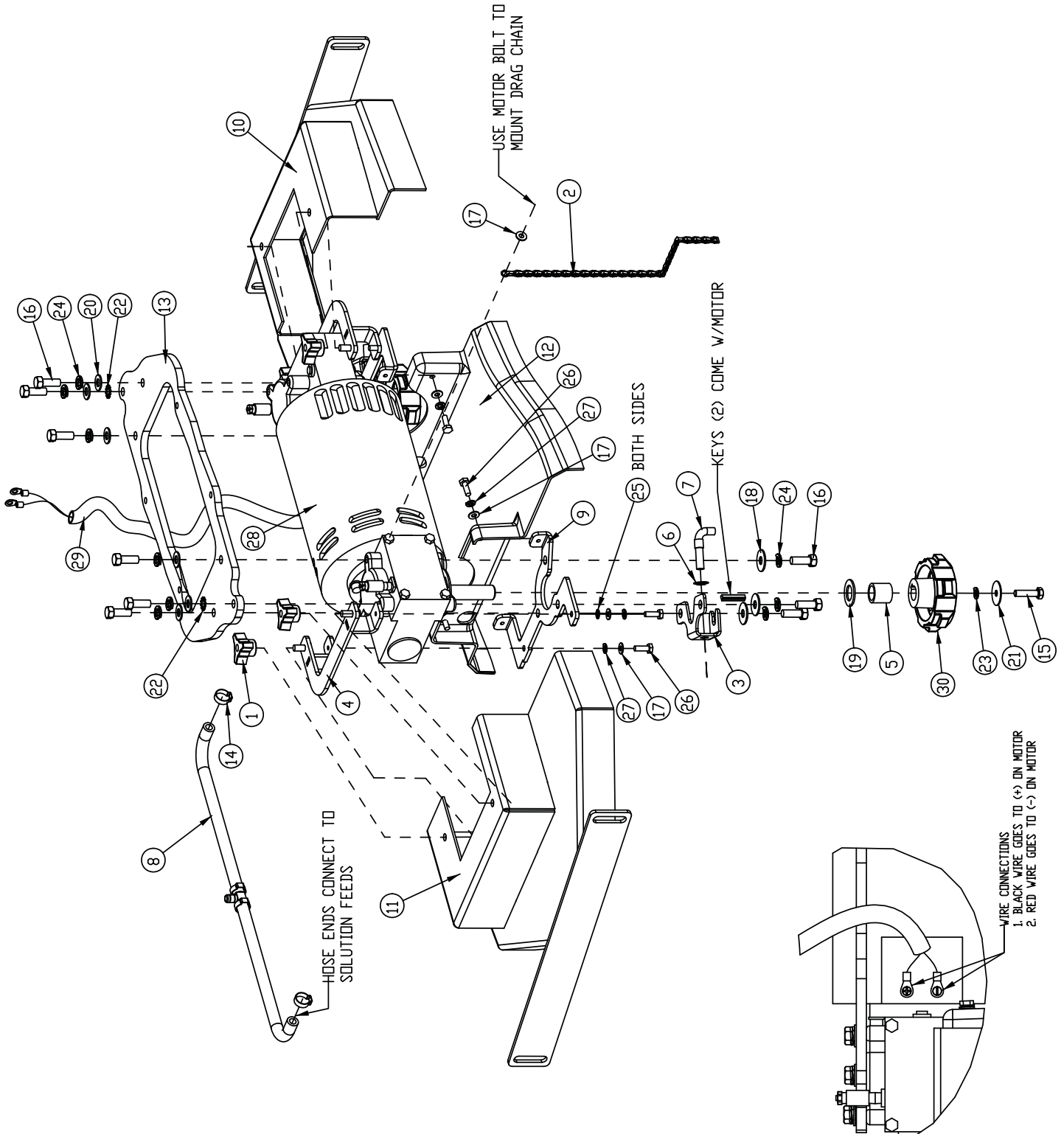
BILL OF MATERIAL 28129S-2

ITEM	PART NO.	QTY	DESCRIPTION
1	281875	1	SIDE SQUEEGEE WIPE ASSY RH, SCV2832
2	281878	1	SIDE SQUEEGEE WIPE ASSY LH, SCV2832
3	712140	4	WASHER-LOCK 5/16 SPLIT SS
4	712157	4	NUT-WING 5/16-18 SS
5	712301	4	WASHER-FLAT 3/8 X .87 X .06 ZP
6	281292S-2	1	ASSY, D-SCRUBDECK ER28 SKIRT,NO SQ,SPORT
1	210118	4	KNOB-3 SIDED 5/16 NYLOC
2	241628	1	DRAG CHAIN ASSY, DISK SCRUBDECK SCV24/26
3	241653	2	WATER FEED BRKT, DISK, SCV24/26
4	241662	2	COVER MNT BRK'T, SCV 24/26 ASSY
5	281611	2	HUB-SCRUB SPACER TUBE
6	281633	2	SPEED NUT - 3/8"
7	281634	2	DISK SOLUTION FEED ASSY
8	281871-1	1	DISK DECK COVER LH, SCV 24/26
9	281874-1	1	DISK DECK COVER RH, SCV 24/26
10	281881	1	SOL. FEED HOSE SUB-ASS'Y, DISK
11	281883	2	MOUNTING BRACKET, MOTOR COVER
12	320928	1	DECK COVER, 28" DISK
13	320929	1	DISK SCRUBDECK MNTG PLATE, 28'
14	450076	2	CLAMP-CRIMP 185R SS
15	711231	2	BLT-HH 5/16-18X1.25 ST PL
16	711242	12	BLT-HH 3/8 -16 X 1.00
17	711504	9	WSR-FLAT 1/4 ID SS
18	711507	6	WSR-FLAT .37 X 1.12 X .06
19	711512	2	WSR-FLAT .75X1.37X.08
20	711515	6	WSR-FLAT .406 X .812 X .0625
21	711516	2	WSR- FLAT .31 X 1.25 X .05
22	711539	2	WSR-EXTERNAL LOCK 3/8
23	711545	2	WSR-HELICAL 5/16
24	711546	12	WSR-HELICAL 3/8
25	711554	2	WSR-INTERNAL LOCK 1/4 ID
26	712562	8	BOLT-HH 1/4-20X3/4 SS
27	712758	8	WSR-HELICAL 1/4 SS
28	748410	1	WIRE ASY, DISK DECK ER2832
29	748424	1	MOTOR, DUAL RT. ANGLE, 28", 500 RPM
30	3312402	2	HUB-SCRUB BRUSH DRIVE



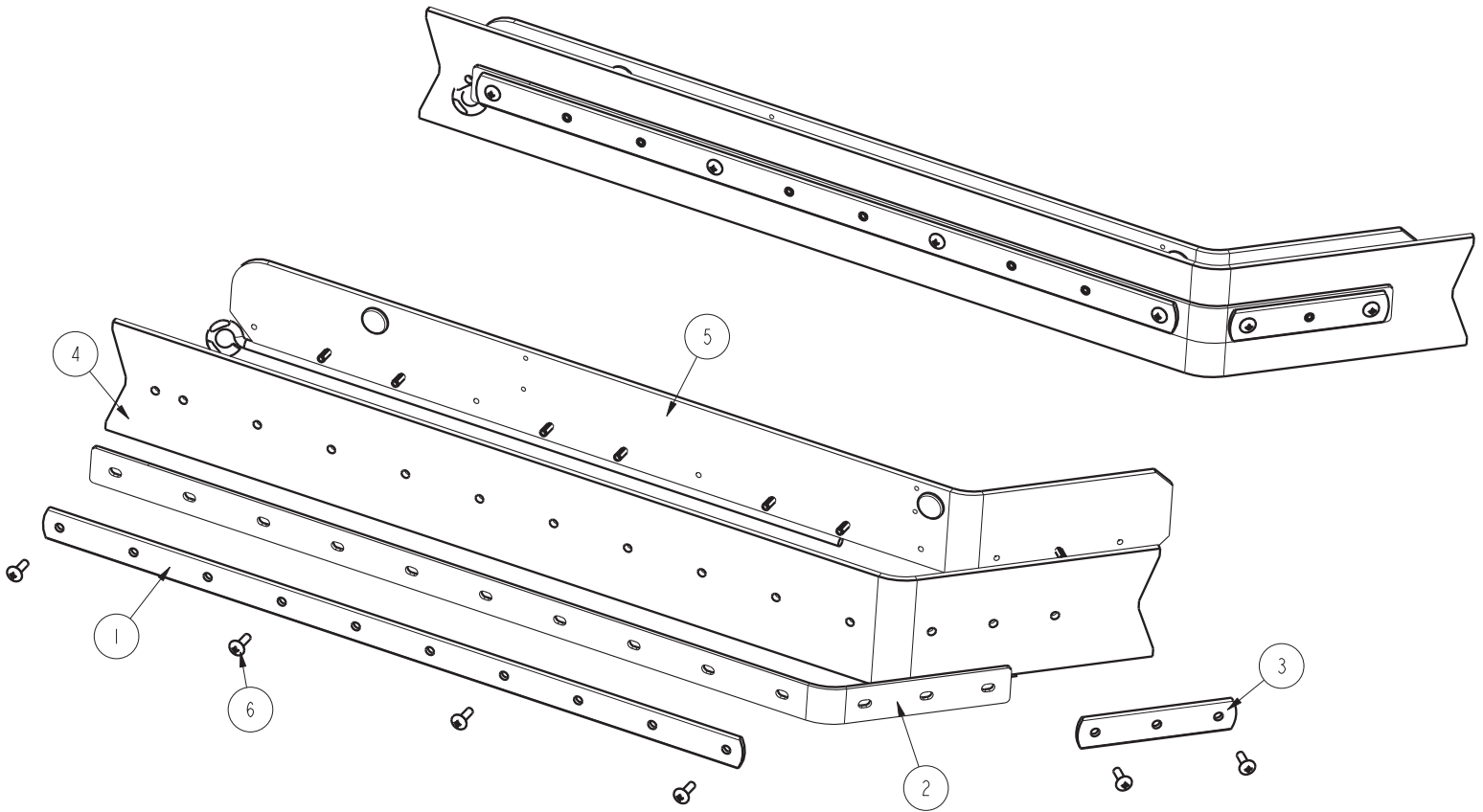
BILL OF MATERIAL - 281293S

ITEM	PART NO.	QTY	DESCRIPTION
1	281875	1	SIDE SQUEEGEE WIPE ASSY RH, SCV2832
2	281878	1	SIDE SQUEEGEE WIPE ASSY LH, SCV2832
3	712140	4	WASHER-LOCK 5/16 SPLIT SS
4	712157	4	NUT-WING 5/16-18 SS
5	712301	4	WASHER-FLAT 3/8 X .87 X .06 ZP
6	281293S-2	1	ASSY, D-SCRUBDECK ER32 SKIRT,NO SQ,SPORT

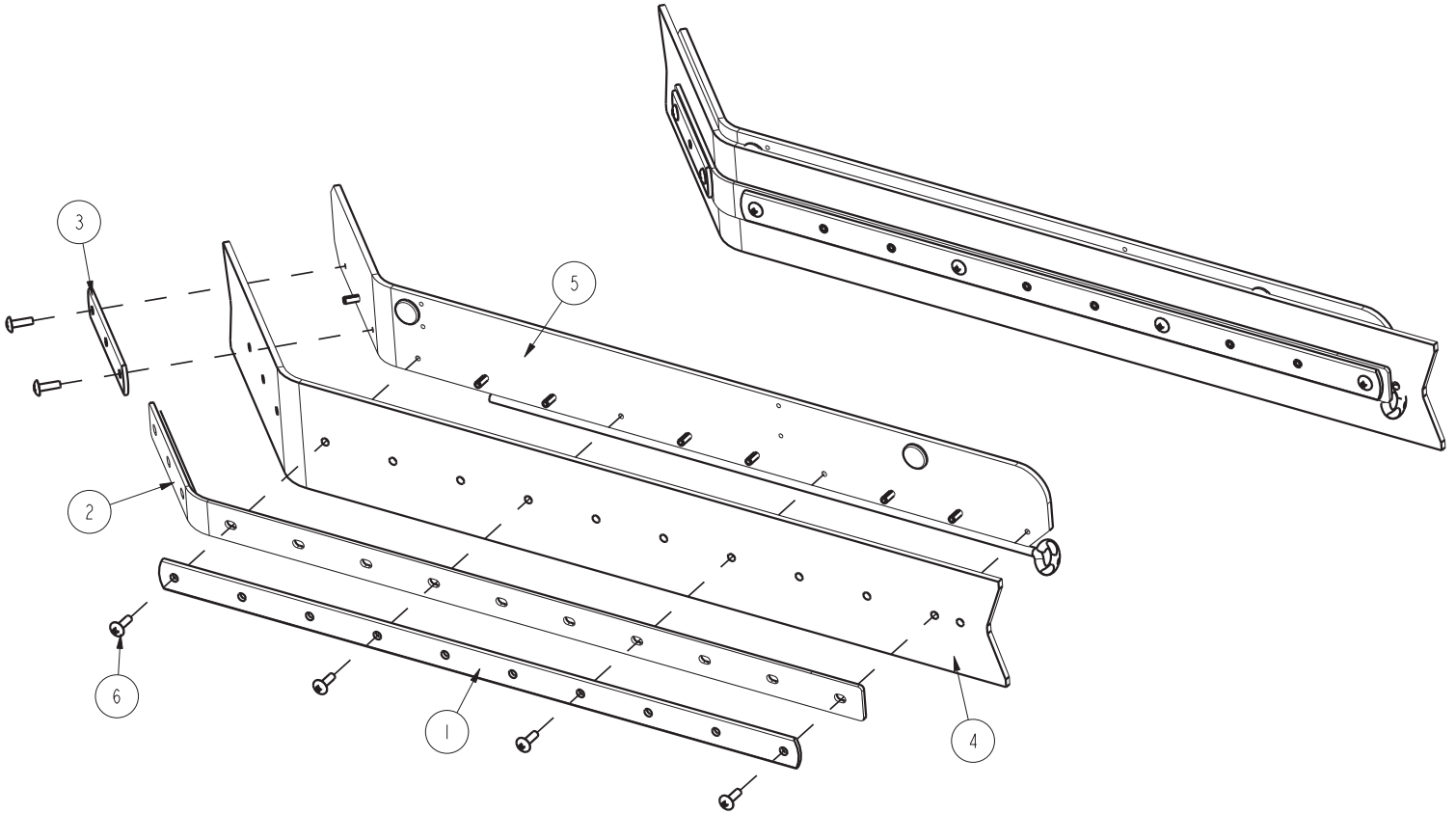


BILL OF MATERIAL - 281293S-2

ITEM	PART NO.	QTY	DESCRIPTION
1	210118	4	KNOB-3 SIDED 5/16 NYLOC
2	241628	1	DRAG CHAIN ASSY, DISK SCRUBDECK SCV24/26
3	241653	2	WATER FEED BRKT, DISK, SCV24/26
4	241662	2	COVER MNT BRK'T, SCV 24/26 ASSY
5	281611	2	HUB-SCRUB SPACER TUBE
6	281633	2	SPEED NUT - 3/8"
7	281634	2	DISK SOLUTION FEED ASSY
8	281881	1	SOL. FEED HOSE SUB-ASS'Y, DISK
9	281883	2	MOUNTING BRACKET, MOTOR COVER
10	281885-1	1	DISK DECK COVER RH 32", SCV 28/32
11	281887-1	1	DISK DECK COVER LH 32", SCV 28/32
12	320857	1	DECK COVER, 32" DISK
13	320859	1	DISK SCRUBDECK MNTG PLATE, 32"
14	450076	2	CLAMP-CRIMP 185R SS
15	711231	2	BLT-HH 5/16-18X1.25 ST PL
16	711242	12	BLT-HH 3/8 -16 X 1.00
17	711504	9	WSR-FLAT 1/4 ID SS
18	711507	6	WSR-FLAT .37 X 1.12 X .06
19	711512	2	WSR-FLAT .75X1.37X.08
20	711515	6	WSR-FLAT .406 X .812 X .0625
21	711516	2	WSR- FLAT .31 X 1.25 X .05
22	711539	2	WSR-EXTERNAL LOCK 3/8
23	711545	2	WSR-HELICAL 5/16
24	711546	12	WSR-HELICAL 3/8
25	711554	2	WSR-INTERNAL LOCK 1/4 ID
26	712562	8	BOLT-HH 1/4-20X3/4 SS
27	712758	8	WSR-HELICAL 1/4 SS
28	748425	1	MOTOR, 32" DUAL RIGHT ANGLE
29	748410	1	WIRE ASY, DISK DECK ER2832
30	3312402	2	HUB-SCRUB BRUSH DRIVE

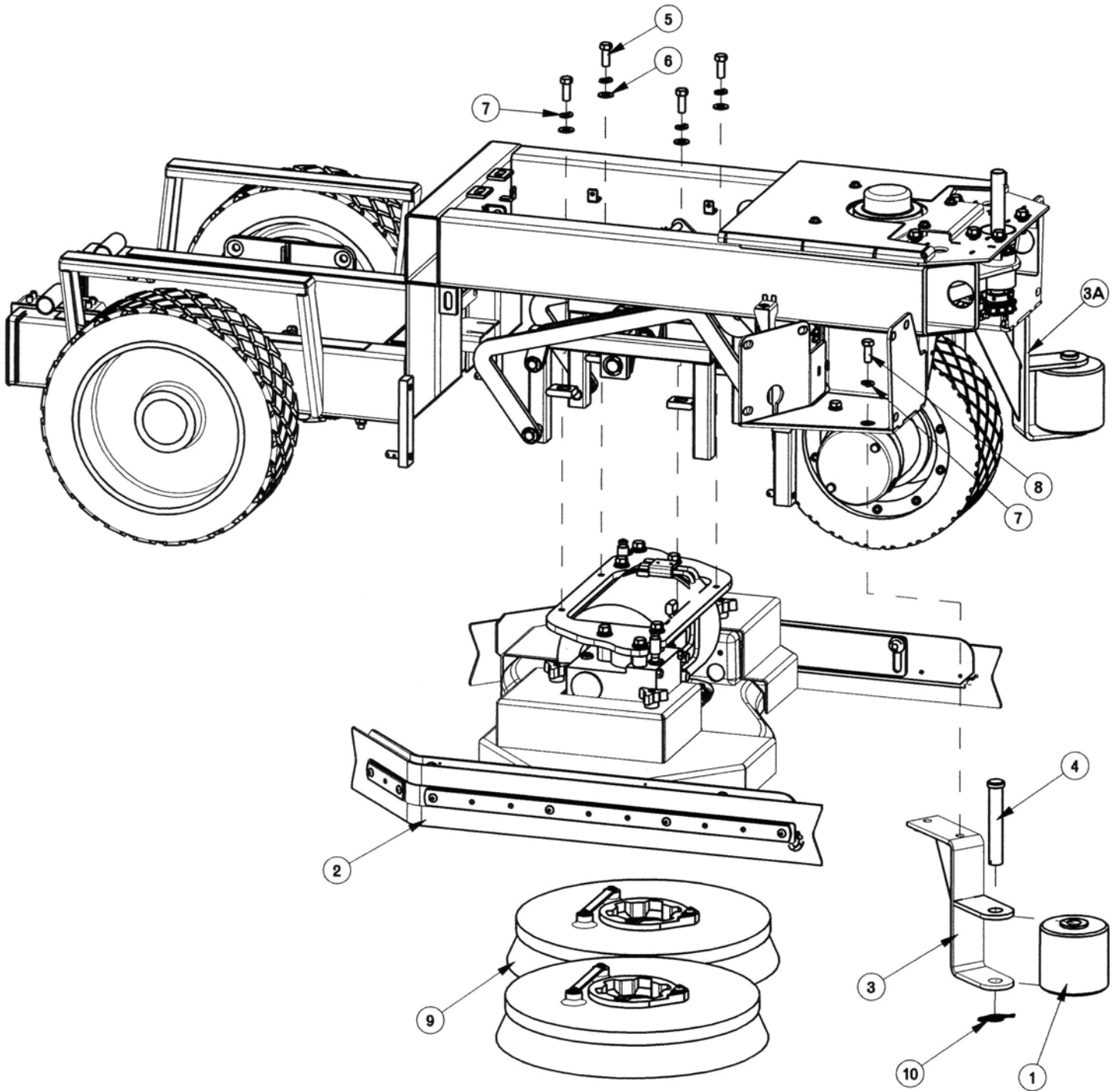


BILL OF MATERIAL - 281878			
ITEM	PART NO.	QTY	DESCRIPTION
1	241679	1	LONG RETAINER, SIDE SQ SCV2426
2	281855	1	BACKER BLADE, LONG SCV 2832
3	281856	1	SHORT RETAINER, SIDE SQ SCV2426
4	281859	1	SIDE SQUEEGEE BLADE LINATEX, SCV 2832
5	281879	1	DISK SQUEEGEE SUB-ASSY LH, SCV 24/26
6	710154	6	SCR-MC TR HD 10-32 X .625 SS



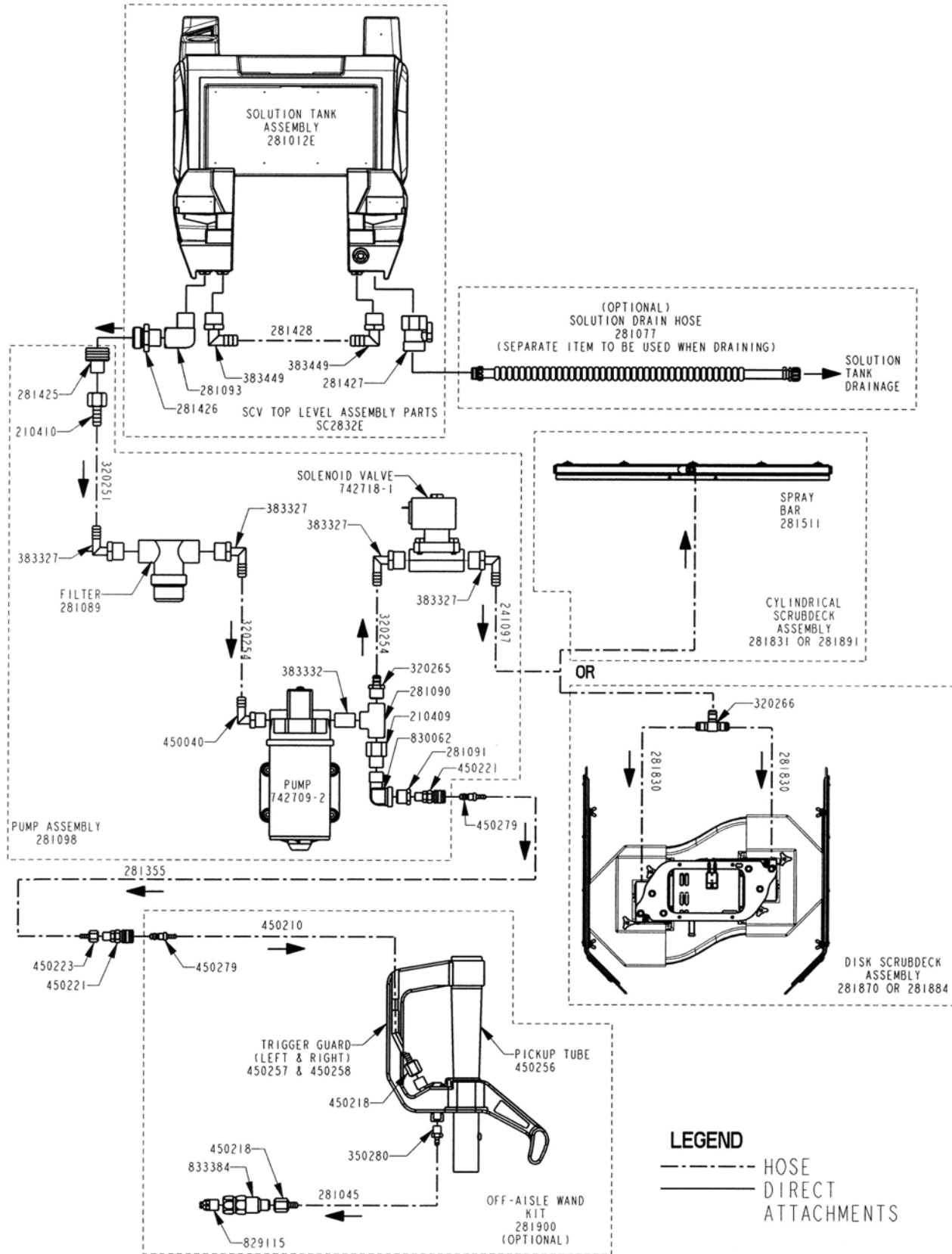
BILL OF MATERIAL - 281875

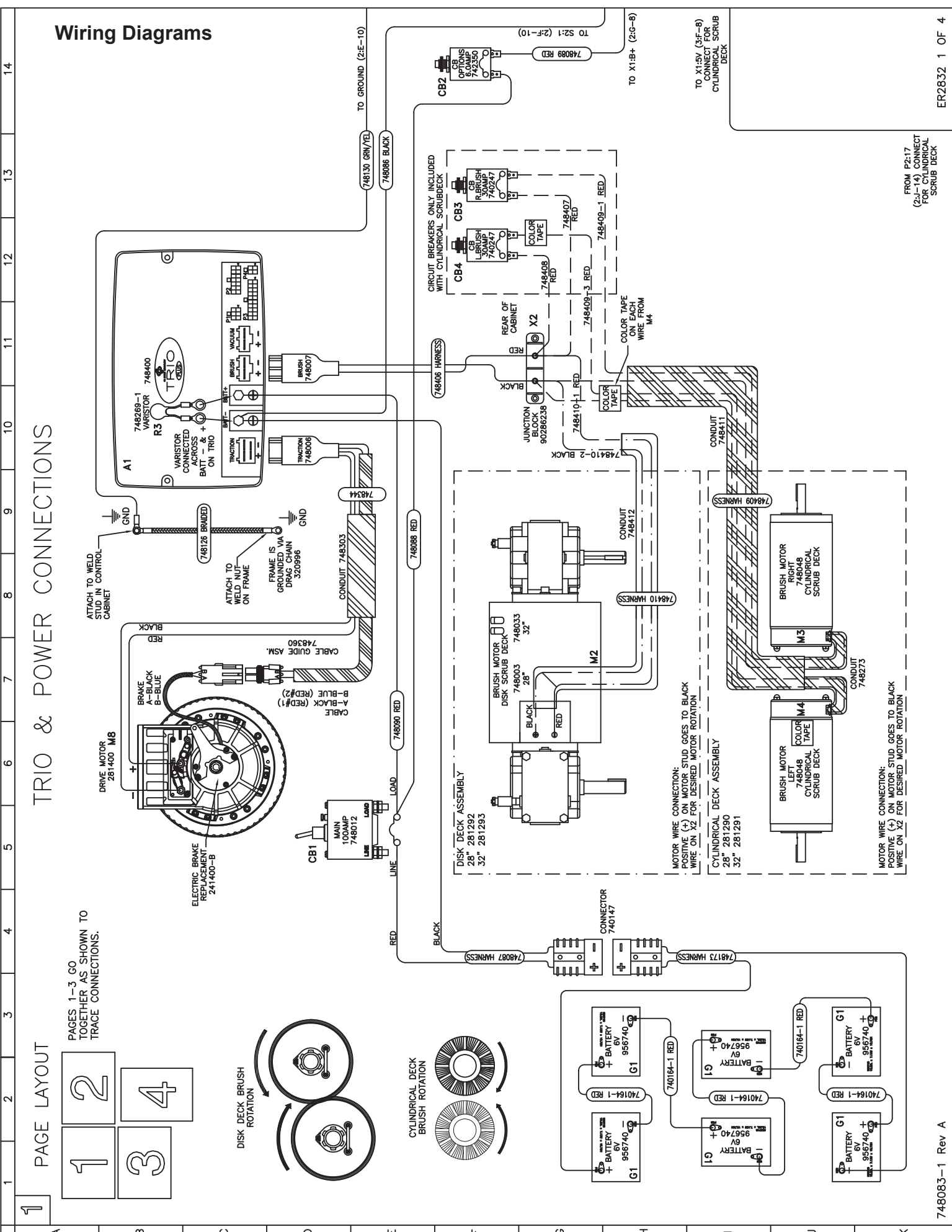
ITEM	PART NO.	QTY	DESCRIPTION
1	241679	1	LONG RETAINER, SIDE SQ SCV2426
2	281855	1	BACKER BLADE, LONG SCV 2832
3	281856	1	SHORT RETAINER, SIDE SQ SCV2426
4	281859	1	SIDE SQUEEGEE BLADE LINATEX, SCV 2832
5	281876	1	DISK SQUEEGEE SUB ASSY RH, SCV 24/26
6	710154	6	SCR-MC TR HD 10-32 X .625 SS

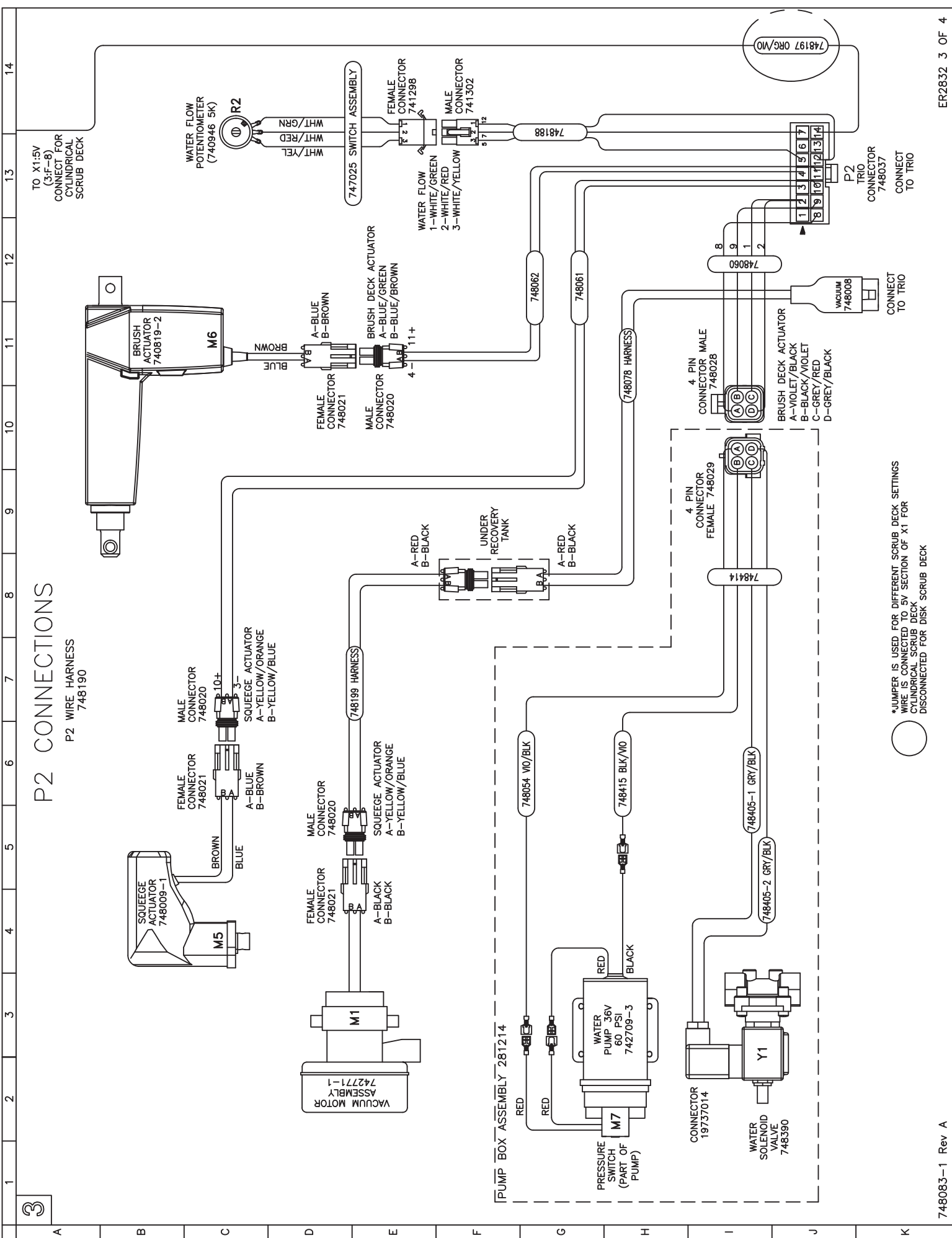


BILL OF MATERIAL - ER28DSQP			
ITEM	PART NO.	QTY	DESCRIPTION
1	66-436-A	2	RUBBER ROLLER
2	281292S	1	DISK SCRUBDECK ASSY-SPORT, 28" NO BRUSHES
3	281955	1	FRONT ROLLER MOUNT BRKT WMT
4	360017	2	3/4" X 4.50 CLEVIS PIN
5	711242	10	BLT-HEX 3/8 -16X1.00 ZP
6	711515	13	WSR-FLAT .406 X .812 X .0625
7	711546	14	WSR-HELICAL 3/8
8	713042	4	BLT-HH 3/8-16 X 1 #5
9	3313135	2	BRUSH SCRUB 14" PLASTIC NYLON
9A	3313125	2	POWER DRIVE 14" POWERGRIT 80 S/S
9B	3313127	2	POWER DRIVE 14" POWERGRIT 46 HDS
9C	3313131	2	BRUSH SCRUB 14" PLAS WIRE
9D	3313133	2	BRUSH SCRUB 14" PLAS BUTCHWIRE
9E	3315494	2	BRUSH 14" PWR DRIVE W/PAD HLDR (STANDARD)
9F	3315386	2	POWER DRIVE 14" POWERGRIT 120 AGS
10	3400661	2	PIN-COTTER 5/8 RUE-RING

BILL OF MATERIAL - ER32DSQP			
ITEM	PART NO.	QTY	DESCRIPTION
1	66-436-A	2	RUBBER ROLLER
2	281293S	1	DISK SCRUBDECK ASSY-SPORT, 32"NO BRUSHES
3	281976	1	FRONT ROLLER MOUNT BRKT WMT, RH (32" ONLY)
3A	281971	1	FRONT ROLLER MOUNT BRKT WMT, LH (32" ONLY)
4	360017	2	3/4" X 4.50 CLEVIS PIN
5	711242	10	BLT-HEX 3/8 -16X1.00 ZP
6	711515	13	WSR-FLAT .406 X .812 X .0625
7	711546	14	WSR-HELICAL 3/8
8	713042	4	BLT-HH 3/8-16 X 1 #5
9	3313136	2	BRUSH SCRUB 16" PLASTIC NYLON
9A	3313126	2	POWER DRIVE 16" POWERGRIT 80 S/S
9B	3313128	2	POWER DRIVE 16" POWERGRIT 46 HDS
9C	3313132	2	BRUSH SCRUB 16" PLAS WIRE
9D	3313134	2	BRUSH SCRUB 16" PLAS BUTCHWIRE
9E	3315495	2	BRUSH 16" PWR DRIVE W/PAD HLDR (STANDARD)
9F	3315385	2	POWER DRIVE 16" POWERGRIT 120 AGS
10	3400661	2	PIN-COTTER 5/8 RUE-RING







P2 CONNECTIONS

P2 WIRE HARNESS
748190

*JUMPER IS USED FOR DIFFERENT SCRUB DECK SETTINGS
WIRE IS CONNECTED TO 5V SECTION OF X1 FOR
CYLINDRICAL SCRUB DECK
DISCONNECTED FOR DISK SCRUB DECK



WIRE COLORS & FUNCTIONS

P2: TRIO CONNECTOR

PIN #	COLOR	FUNCTION
1	GREY/RED	WATER SOLENOID VALVE
2	GREY/BLACK	WATER SOLENOID VALVE
3	YELLOW/ORANGE	SQUEEGE ACTUATOR
4	BLUE/GREEN	BRUSH ACTUATOR
5	WHITE/YELLOW	WATER FLOW POTENTIOMETER (SLOW)
6	-	-
7	WHITE/RED	WATER FLOW POTENTIOMETER (WIPER)
8	VIOLET/BLACK	WATER PUMP
9	BLACK/VIOLET	WATER PUMP
10	YELLOW/BLUE	SQUEEGE ACTUATOR
11	BLUE/ORANGE	BRUSH ACTUATOR
12	WHITE/GREEN	WATER FLOW POTENTIOMETER (FAST)
13	-	-
14	ORANGE/VIOLET	BRUSH DECK PRESSURE SETTING

P3: TRIO CONNECTOR

PIN #	COLOR	FUNCTION
1	YELLOW/RED	5 MODE SWITCH: LIGHT SCRUB
2	YELLOW/BLACK	5 MODE SWITCH: HEAVY SCRUB
3	YELLOW	5 MODE SWITCH: TRANSPORT
4	-	-
5	BLUE/WHITE	DECK RAISE/LOWER SWITCH
6	RED/YELLOW	BATTERY GAUGE SIGNAL
7	GREY/YELLOW	HOUR METER
8	RED/WHITE	ON/OFF RED (B+)
9	BLACK/ORANGE	SPEED POTENTIOMETER (SLOW)
10	BLACK/PINK	SPEED POT/SEAT SAFETY SWITCH
11	YELLOW/WHITE	5 MODE SWITCH: VACUUM ONLY
12	YELLOW/GREY	5 MODE SWITCH: DOUBLE SCRUB
13	VIOLET/YELLOW	REVERSE SWITCH
14	BROWN/GREEN	FLOAT SWITCH: SOLUTION TANK EMPTY
15	WHITE/BLUE	OFF AISLE WAND
16	RED/BLACK	HIGH SWITCH REF: 5VDC
17	BROWN/BLACK	BACK UP ALARM
18	RED/VIOLET	ON/OFF INPUT: KEY SWITCH-KSI
19	BLACK/RED	LOW SWITCH REF: 0VDC
20	BLACK/WHITE	SPEED POTENTIOMETER (FAST)

MISCELLANEOUS

COLOR	FUNCTION
RED	BATTERY 36VDC
BLACK	BATTERY 0VDC
RED/BLACK	HIGH SWITCH REF: 5VDC
BLACK/RED	LOW SWITCH REF: 0VDC
RED/VIOLET	KEY SWITCH INPUT- KSI
BLUE/YELLOW	HORN
ORANGE/VIOLET	DECK TYPE SELECT:CONNECT FOR CYLINDRICAL

KEY SWITCH: S2

PIN #	HARNESS COLOR	FUNCTION
1	BLACK	WATER SOLENOID VALVE
B	BLACK	WATER SOLENOID VALVE
2	RED/WHITE	+V FROM TRIO P3:8
B1	RED/VIOLET	E-STOP-TRIO KSI P3:18

BATTERY GAUGE: BDI

PIN #	COLOR	FUNCTION
1	RED/VIOLET	SWITCHED 36VDC:P3-18
2	RED/YELLOW	SIGNAL: P3-6
3	BLACK/RED	SIGNAL REF 0V
4	GREEN/YELLOW	ESD DISCHARGE

MODE SELECT SWITCH: S4

SWT #	PIN #	COLOR	FUNCTION
1	1	YELLOW/BLACK	HEAVY SCRUB
2	2	YELLOW/RED	LIGHT SCRUB
3	3	YELLOW/GREY	DOUBLE SCRUB
4	4	YELLOW/WHITE	VACUUM ONLY
5	5	YELLOW	TRANSPORT
C	6	RED/BLACK	SWITCH REF 5V

DIRECTION SWITCH: S6

PIN #	COLOR	FUNCTION
1	VIOLET/YELLOW	REVERSE
2	RED/BLACK	HIGH SWITCH REF 5VDC
3	EMPTY	-
4	EMPTY	-
5	EMPTY	-
6	EMPTY	-

DECK RAISE/LOWER SWITCH: S9

PIN #	COLOR	FUNCTION
1	RED/BLACK	HIGH SWITCH REF 5VDC
2	BLUE/WHITE	DECK RAISE/LOWER INPUT
3	BLACK/RED	LOW SWITCH RED 0VDC
4	EMPTY	-
5	EMPTY	-
6	EMPTY	-

ER2832 PART REFERENCE LIST
Schematic 745083-1

REFERENCE #	COMPONENT NAME	PART NUMBER	LOCATION
M1	VACUUM MOTOR	742771-1	3:D-2
M2	BRUSH MOTOR DISK	748003 or 748033	1:G-7
M3	BRUSH MOTOR CYLINDRICAL- RIGHT	748048	1:J-6
M4	BRUSH MOTOR CYLINDRICAL- LEFT	748048	1:J-7
M5	SQUEEGEE ACTUATOR	748009-1	3:B-4
M6	BRUSH DECK ACTUATOR	740819-2	3:B-11
M7	WATER PUMP ASSEMBLY(BRUSH DECK)	742709-3	2:H-3
M8	DRIVE MOTOR	281400	1:D-6
A1	TRIO CONTROL UNIT- ERIDE	748400	1:C-9
	TRIO PROGRAM	748400-1	N/A
S2	KEY SWITCH	742927	2:F-10
S3	HORN SWITCH	748047	2:I-11
S4	MODE SELECT SWITCH	747027	2:A-6
S5	ACCELERATOR SWITCH	PART of 748013-1	2:K-2
S6	DIRECTION SWITCH	748151	2:D-9
S7	OFF AISLE WAND SWITCH- OPTION 281900	742716	2:B-10
S8	SEAT SWITCH	281087-1	2:I-2
S9	DECK RAISE/LOWER SWITCH	748152	2:I-5
S10	HEAD LIGHT SWITCH- OPTION 281990	742716	2:B-13
B1	SOLUTION TANK EMPTY FLOAT SWITCH	742708-4	2:A-4
CB1	MAIN CIRCUIT BREAKER 100A	748012	1:E-5
CB2	CIRCUIT BREAKER 6A	742350	1:F13
CB3	CIRCUIT BREAKER 30A RIGHT CYLINDRICAL BRUSH MOTOR	740247	1:F12
CB4	CIRCUIT BREAKER 30A LEFT CYLINDRICAL BRUSH MOTOR	740247	1:F11
H1	HORN / BACKUP ALARM	748200	2:K-7
H2	WARNING BEACON ASSEMBLY- OPTION 281845	748135-1	2:E-13
Y1	WATER SOLENOID (BRUSH DECK)	748390	3:J-3
HM1	HOUR METER	740539	2:J-6
BDI	BATTERY GAUGE, BDI	747011	2:I-8
G1	BATTERY 6V 235Ah (FLOODED TYPE)	956740	1:G,J-2,3
OPTIONAL:G1	BATTERY 12V 312Ah (AGM TYPE)	956745	1:G,J-2,3
R1	SPEED POTENTIOMETER	748013-1	3:K-3
R2	WATER FLOW POTENTIOMETER ASSEMBLY	747025	3:C-14
R3	VARISTOR ASM	748269-1	1:C-10
L1	HEADLIGHT, RIGHT- OPTION 281990	742704	2:D-13
L2	HEADLIGHT, LEFT- OPTION 281990	742704	2:C-13
X1	TERMINAL BLOCK	748153	2:G-8
X2	JUNCTION BLOCK- BRUSH MOTOR	90286238	2:G-10
P2	WIRE HARNESS TO TRIO	748190	3:J-13
P3	WIRE HARNESS TO TRIO	748191	2:F-4
	WIRE HARNESS, MAIN HARNESS	748138E	N/A

Minuteman International Made Simple Commercial Limited Warranty

REVISION N EFFECTIVE 9/3/2015

Minuteman International, Inc. warrants to the original purchaser/user that the product is free from defects in workmanship and materials under normal use. Minuteman will, at its option, repair or replace without charge, parts that fail under normal use and service when operated and maintained in accordance with the applicable operation and instruction manuals. All warranty claims must be submitted through and approved by factory authorized repair stations.

This warranty does not apply to normal wear, or to items whose life is dependent on their use and care, such as belts, cords, switches, hoses, rubber parts, electrical motor components or adjustments. Parts manufactured by Minuteman are covered by and subject to the warranties and/or guarantees of their manufacturers. Please contact Minuteman for procedures in warranty claims against these manufacturers.

Special warning to purchaser -- Use of replacement filters and/or pre-filters not manufactured by Minuteman or its designated licensees, will void all warranties expressed or implied. A potential health hazard exists without original equipment replacement.

All warranted items become the sole property of Minuteman or its original manufacturer, whichever the case may be.

Minuteman disclaims any implied warranty, including the warranty of merchantability and the warranty of fitness for a particular purpose. Minuteman assumes no responsibility for any special, incidental or consequential damages.

This limited warranty is applicable only in the U.S.A. and Canada, and is extended only to the original user/purchaser of this product. Customers outside the U.S.A. and Canada should contact their local distributor for export warranty policies. Minuteman is not responsible for costs or repairs performed by persons other than those specifically authorized by Minuteman. This warranty does not apply to damage from transportation, alterations by unauthorized persons, misuse or abuse of the equipment, use of non-compatible chemicals, or damage to property, or loss of income due to malfunctions of the product.

If a difficulty develops with this machine, you should contact the dealer from whom it was purchased.

This warranty gives you specific legal rights, and you may have other rights which vary from state to state. Some states do not allow the exclusion or limitation of special, incidental or consequential damages, or limitations on how long an implied warranty lasts, so the above exclusions and limitations may not apply to you.

Model	Parts	Labor	Poly	Travel
Cord Electric Group	3yrs	2yrs	0	90 days
Not to exceed two hours				

Exceptions.....

Model	Parts	Labor	Poly	Travel
Port A Scrub, all models	1yr	6months	10yrs	90 days
Rapid Air Blower/A3S	1yr	1yr	10yrs	0
Phenom Dual Motor Upright Vacuums	1yr	1yr	0	0
Explosion Proof Vacuum	1yr	1yr	0	0
Box Extractors, Floor Machines, Burnishers, Restroom Cleaner	2yr	1yr	10yrs	0
E17 & E20 Electric Scrubbers	3yr	2yr	10yrs	90 days
Not to exceed two hours				

Description	Parts	Labor	Poly	Travel
Battery Operated Group	3yrs	2yrs	10	90 days
Sweepers	1yr	1yr	0	90 days
Internal Combustion Group	1yr	1yr	0	90 days
Not to exceed two hours				

Battery Chargers:	One year replacement
Replacement Parts:	Ninety days
Batteries:	0-3 months full replacement, 4-12 months pro-rate
Polypropylene Plastic Tanks:	10yr warranty, no additional labor

“Excellence Meets Clean”

**Minuteman is a Full Line Manufacturer of Sweepers and Scrubbers,
for Industrial Facilities.**